



# MBR2528HCOA.1

ITEM NUMBER: BRP2530HCA,  
BRP3033HCA, BRP3540HCA,  
BR2528HCO, BR2530HCO

## Owner's Manual

### Pressure Washer: Machine that cleans dirty surfaces with high pressure water.

#### Instructions for Installation/Set-up, Operation, Maintenance, & Storage

This pressure washer produces cold water high pressure spray. Cleaning chemicals may be incorporated into the spray if desired. The pressure pump for this equipment is powered by a gasoline internal combustion engine.

#### **! WARNING: SPECIAL HAZARDS**

- **CO Poisoning:** Exhaust from engine contains carbon monoxide, a poisonous gas that can cause carbon monoxide poisoning and possible death if inhaled. ONLY run pressure washer OUTDOORS and at least 20 feet from the home, away from windows, vents and air intakes, to allow proper ventilation. If you start to feel sick, dizzy, or weak while using the pressure washer, shut off the engine and get to fresh air RIGHT AWAY.
  - **Injection Injury:** High-pressure spray can pierce skin and underlying tissues, leading to serious injury and possible amputation. Such an injection injury can result in blood poisoning and/or severe tissue damage.
  - **Flying Debris:** High-pressure spray can cause flying debris and possible surface damage.
  - **Electric shock:** Operating equipment in wet conditions or near water can cause electric shock.
  - **Chemical Exposure:** Cleaning chemical vapors or contact with skin may be hazardous.
  - **Fire/Explosion:** Engine sparking can ignite fuel or other flammable liquids or vapors in the vicinity. Hot exhaust from engine can ignite combustible materials.
  - **Burns:** Pressure Washer pump and engine are hot surfaces that can cause burn injuries.
- Detailed safety information about these hazards appears throughout this manual.

#### Equipment Protection Quick Facts

**Inspect Upon Delivery:** FIRST! Inspect for missing or damaged components. See "Initial Set-Up" section for where to report missing or damaged parts.

**Add Engine Oil:** Engine is shipped without oil. See engine manual for instructions on capacity and viscosity recommendations.

**Pump:** Pump is shipped with oil: Check pump oil level before starting.

- Remove shipping tape and black vent plug (if present) from pump oil fill cap (CAT Pumps).
- Remove shipping plug and install vented fill cap (Comet Pumps).

**Water Flow Requirements:** Make sure your supply water flow rate is 20% higher than the pressure washer's flow rate (see "Operations", section for detail), and that your water is clean and particle free.

**Chemical Spraying:** Use only approved pressure washer chemicals designed for high-pressure use.

**Storage:** Do not allow water to freeze in the pump, hose, or spray gun(s). See "Storage" for more information.

**Maintenance Schedule:** Engine and pump require periodic inspection and servicing to keep pressure washer functioning efficiently. See "Maintenance Schedule Summary" for frequency of servicing.

**Any Questions, Comments, Problems, or Parts Orders**  
***Call BRAVE Product Support 1-800-350-8739***

# Table of Contents

Equipment Protection Quick Facts .....	1
<b>TABLE OF CONTENTS</b> .....	<b>2</b>
<b>ABOUT YOUR PRESSURE WASHER</b> .....	<b>4</b>
<b>SPECIFICATIONS</b> .....	<b>5</b>
<b>COMPONENT IDENTIFICATION</b> .....	<b>6</b>
<b>SAFETY</b> .....	<b>7</b>
Hazard Signal Word Definitions .....	7
<b>SAFETY LABELING</b> .....	<b>8</b>
Safety Decal Locations .....	8
<b>INITIAL SET-UP</b> .....	<b>10</b>
<b>Step 1. Inspect &amp; Unpack</b> .....	<b>10</b>
<b>Step 2. Assembly</b> .....	<b>12</b>
Handle Assembly .....	12
Spray Gun Assembly .....	12
<b>Step 3. Select Suitable Location</b> .....	<b>12</b>
Moving and Handling .....	12
Outdoor Use Only .....	12
Install Spark Arrestor (if Required) .....	13
<b>OPERATION</b> .....	<b>14</b>
<b>Follow Safety Rules for Operation</b> .....	<b>14</b>
<b>Preparing for Operation</b> .....	<b>15</b>
Check/Add Oil to Pump .....	15
Check/Add Engine Oil .....	15
Inspect Fuel System/Check for Leaks .....	16
<b>Connect Hoses, Water Supply, and Spray Nozzle</b> .....	<b>17</b>
<b>Prime the Water Supply</b> .....	<b>18</b>
<b>Set Up for Chemical Spray (if desired)</b> .....	<b>19</b>
<b>Start-Up Procedures</b> .....	<b>20</b>
Start the Engine to Power the Pump .....	20
Apply Cleaning Chemical (If Desired) .....	20
Begin High Pressure Spray .....	20
<b>Shutdown</b> .....	<b>21</b>
<b>STORAGE</b> .....	<b>22</b>
<b>Between-Use Storage</b> .....	<b>22</b>
<b>Prepare Pressure Washer for Freezing Conditions</b> .....	<b>22</b>
<b>Prepare Engine for Long Term Storage</b> .....	<b>22</b>
<b>Prepare Pressure Washer for Storage</b> .....	<b>23</b>
<b>MAINTENANCE &amp; REPAIR</b> .....	<b>24</b>
<b>MAINTENANCE SCHEDULE SUMMARY</b> .....	<b>24</b>
<b>DETAILED INSTRUCTIONS – MAINTENANCE &amp; REPAIR</b> .....	<b>24</b>
Follow Safety Rules .....	24
Keep Pressure Washer Clean .....	24
Inspect Spray System .....	24
Clean Inlet Filter .....	25

Check Tire Pressure .....	25
Change Pump Oil.....	26
<b>TROUBLESHOOTING .....</b>	<b>27</b>
<b>PARTS EXPLODED VIEW – REV A.1.....</b>	<b>28</b>
<b>PARTS LIST – REV A.1.....</b>	<b>29</b>
<b>PUMP ASSEMBLIES.....</b>	<b>30</b>
<b>PUMP ASSEMBLY PARTS.....</b>	<b>31</b>
<b>PUMP EXPLODED VIEW – COMET AXD.....</b>	<b>32</b>
<b>PUMP EXPLODED VIEW – CAT 4DNX .....</b>	<b>34</b>
<b>PUMP EXPLODED VIEW – CAT 4SPX.....</b>	<b>35</b>
<b>PUMP EXPLODED VIEW – CAT 66DX.....</b>	<b>37</b>
<b>PUMP EXPLODED VIEW – COMET VRX.....</b>	<b>38</b>
<b>LIMITED WARRANTY .....</b>	<b>40</b>

## About Your Pressure Washer

Thank you for purchasing a Brave Pressure Washer! It is designed for long life, dependability, and top performance.

**Intended Use.** Produce a high-pressure water spray. Incorporate cleaning chemicals into a low-pressure water spray.

Note: Do not use for other purposes, as unforeseen hazards or equipment damage may result.

**Power Source.** The pressure washer is powered by a gasoline engine.

**Supplies Required.** Normal operation will require you to supply:

- Pressure Washer pump oil
- Gasoline
- Engine oil
- Personal Protection Equipment

See "*Specifications*" section of this manual for more detail.

**Site Location.** Intended for outdoor use only.

**Personal Protection.** Wear safety apparel during operation, including safety glasses with side and top protection. Ear protection is also recommended if working near any operating engine. Other safety apparel includes waterproof insulated gloves, and non-slip protective footwear. Cleaning chemicals may require the use of respiration mask; refer to chemical label for further instruction.

**Adult control only.** Only trained adults should set up and operate the pressure washer. Do not let children operate.

**Under The Influence.** Never operate, or let anyone else operate, the pressure washer while fatigued or under the influence of alcohol, drugs, or medication.

Keep this manual for reference and review.

### **ATTENTION: Rental Companies and Private Owners who loan this equipment to others!**

All persons to whom you rent/loan this pressure washer to must have access to and read this manual. Keep this owner's manual with the pressure washer at all times and advise all persons who will operate the machine to read it. You must also provide personal instruction on how to safely set-up and operate the pressure washer and remain available to answer any questions a renter/borrower might have. Owner's Manuals are available from Brave at 1-800-350-8739.

# Specifications

<b>BR2528HCO</b>	
FLOW OUTPUT	
PSI (bar)	2800 (207)
GPM (l/min)	2.5 (9.4)
Max Water Temp	140° F (60°C)
ENGINE	
Engine	Honda GC 160
Horsepower	160 cc
DIMENSIONS/COMPONENTS	
Length	34"
Width	21"
Height	38"
Pump Model	Comet VRX
Pump Oil Capacity	3.4 oz
SUPPLIES REQUIRED (not included)	
Engine Oil	Refer to Engine Owner's Manual
Pump Oil (Shipped with Oil, but refills required)	Universal Tractor Transmission Oil (part # COCP2101) or Mobil 1 Synthetic Oil 15W50

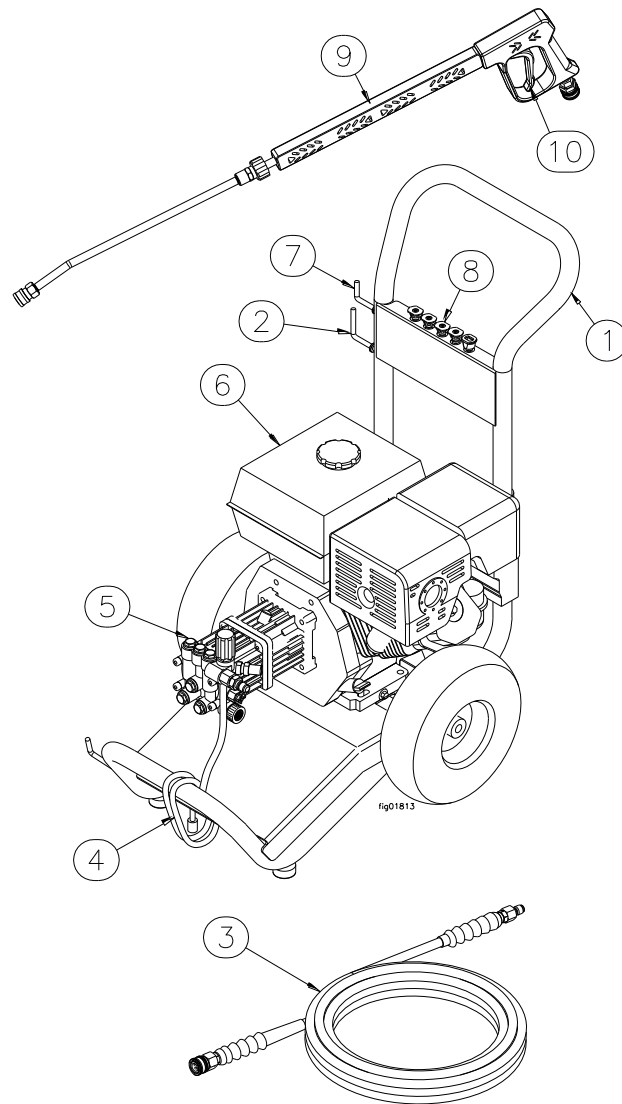
<b>BR2530HCO</b>	
FLOW OUTPUT	
PSI (bar)	3000 (207)
GPM (l/min)	2.5 (9.4)
Max Water Temp	140° F (60°C)
ENGINE	
Engine	Honda GC 190
Horsepower	190 cc
DIMENSIONS/COMPONENTS	
Length	34"
Width	21"
Height	38"
Pump Model	Comet AXD
Pump Oil Capacity	4.3 oz
SUPPLIES REQUIRED (not included)	
Engine Oil	Refer to Engine Owner's Manual
Pump Oil (Shipped with Oil, but refills required)	Universal Tractor Transmission Oil (part # COCP2101) or Mobil 1 Synthetic Oil 15W50

<b>BRP2530HCA</b>	
FLOW OUTPUT	
PSI (bar)	3000 (207)
GPM (l/min)	2.5 (9.4)
Max Water Temp	140° F (60°C)
ENGINE	
Engine	Honda GX 160
Horsepower	190 cc
DIMENSIONS/COMPONENTS	
Length	34"
Width	21"
Height	38"
Pump Model	Cat 4DNX
Pump Oil Capacity	8.5 oz
SUPPLIES REQUIRED (not included)	
Engine Oil	Refer to Engine Owner's Manual
Pump Oil (Shipped with Oil, but refills required)	SAE 30 Non-Detergent Oil or Cat Pump Oil (part # 22158)

<b>BRP3033HCA</b>	
FLOW OUTPUT	
PSI (bar)	3300 (207)
GPM (l/min)	3.0 (9.4)
Max Water Temp	140° F (60°C)
ENGINE	
Engine	Honda GX 270
Horsepower	5.5
DIMENSIONS/COMPONENTS	
Length	34"
Width	21"
Height	38"
Pump Model	Cat 4SPX
Pump Oil Capacity	10.2 oz
SUPPLIES REQUIRED (not included)	
Engine Oil	Refer to Engine Owner's Manual
Pump Oil (Shipped with Oil, but refills required)	SAE 30 Non-Detergent Oil or Cat Pump Oil (part # 22158)

<b>BRP3540HCA</b>	
FLOW OUTPUT	
PSI (bar)	4000 (227)
GPM (l/min)	3.5 (11.3)
Max Water Temp	140° F (60°C)
ENGINE	
Engine	Honda GX 390
Horsepower	9
DIMENSIONS/COMPONENTS	
Length	34"
Width	21"
Height	38"
Pump Model	Cat 66DX
Pump Oil Capacity	18 oz
SUPPLIES REQUIRED (not included)	
Engine Oil	Refer to Engine Owner's Manual
Pump Oil (Shipped with Oil, but refills required)	SAE 30 Non-Detergent Oil or Cat Pump Oil (part # 22158)

## Component Identification



1. **Handle:** Designed for easy cart movement.
2. **Hose Hook:** Store hose on hook. (Position depends on model, see Assembly Instructions section).
3. **Pressure Hose:** Attach quick couplers to gun and water outlet.
4. **Chemical Hose:** Submerge in cleaning solution.
5. **Water Pump:** Inspect for loose/broken parts prior to each use. A device that moves fluid through a combination of suction and displacement.
6. **Engine:** Honda engine provides years of reliable use. Air cooled engine that powers the pump.
7. **Gun Hook:** Store spray gun on hook
8. **Nozzles:** Change nozzles for different spray patterns.
9. **Spray Gun:** Always use two hands for safe operation.
10. **Trigger:** Actuate to allow pressurized water to flow out of spray gun.

See "Parts Explosion" for more details

# Safety

## Hazard Signal Word Definitions



This is the safety alert symbol. It is used to alert you to potential personal injury hazards. Obey all safety messages that follow this symbol to avoid possible injury or death.

DANGER (red) indicates a hazardous situation, which if not avoided, will result in death or serious injury.

WARNING (orange) indicates a hazardous situation, which if not avoided, could result in death or serious injury.

CAUTION (yellow), used with the safety alert symbol, indicates a hazardous situation, which if not avoided, could result in minor or moderate injury.

CAUTION (yellow), without the safety alert symbol, is used to address practices not related to personal injury.

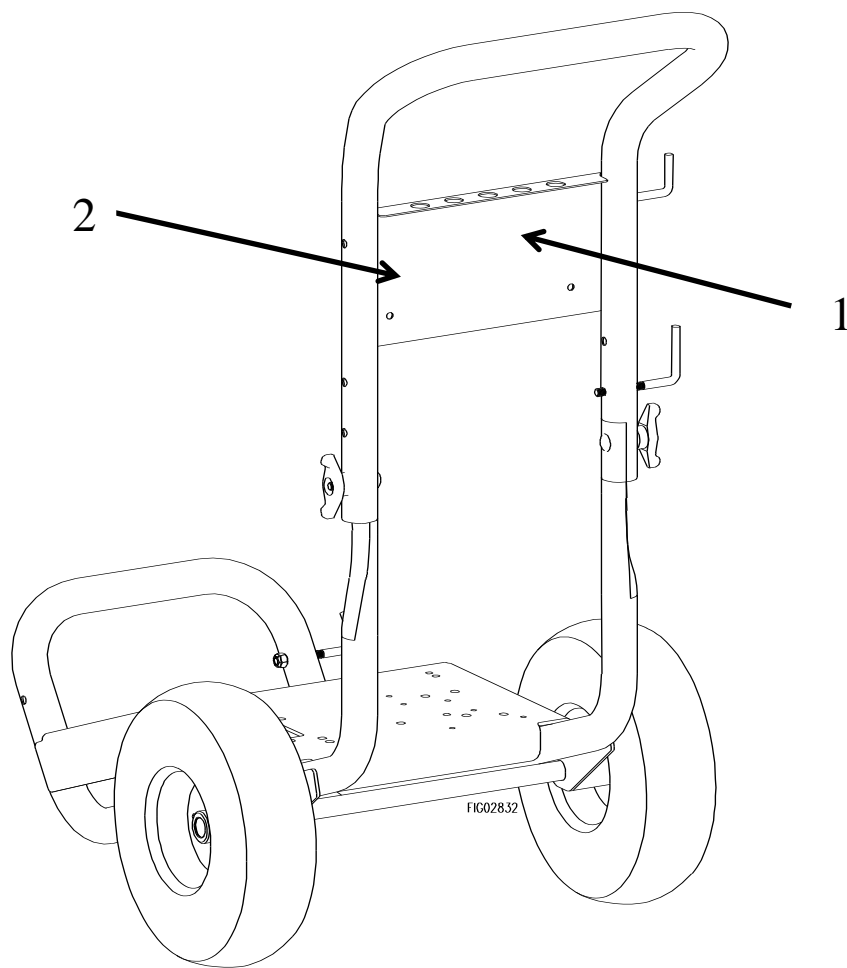
NOTICE is used to address practices not related to personal injury.

# Safety Labeling

## Safety Decal Locations

**⚠ WARNING:**

ALWAYS make sure safety labels are in place and in good condition. If a safety label is missing or not legible, order new labels from Brave Product Support at 1-800-350-8739.



On-Product Warning Labels		
Location	Part numbers	Description
1	781027	Instruction
2	781026	Burn Hazard Decal (located on engine) Warning



## Safety Decals


1

<i>START-UP INSTRUCTIONS</i>	<i>SHUT-DOWN INSTRUCTIONS</i>
1. Attach garden hose.	1. Turn engine OFF.
2. Attach pressure hose.	2. Turn water supply OFF.
3. Attach gun and lance.	3. Squeeze trigger to relieve system pressure.
4. Turn water supply ON.	4. Remove garden hose.
5. Squeeze trigger to purge air from pump.	5. Remove pressure hose.
6. Insert nozzle.	6. Turn fuel valve OFF (if equipped).
7. Start engine.	

2

<b>⚠ WARNING</b>	
	1.) Skin puncture hazard. Do not direct spray at people or animals. Seek IMMEDIATE surgical treatment.
	2.) Risk of fire and explosion. Do not add fuel when engine is running or still hot.
	3.) Breathing hazard. Poisonous fumes from engine can kill you. Do not operate indoors even if ventilated.
	4.) Risk of electrocution. Keep water away from electric outlets and electric devices.
	5.) Read owner's manual. Serious injury or death can result if safety instructions are not followed.

789002

<b>⚠ WARNING</b>	
	<b>1.) Burn hazard.</b> Do not touch hot muffler.

**To order replacement safety labels, call Brave Product Support at 1-800-350-8739.**

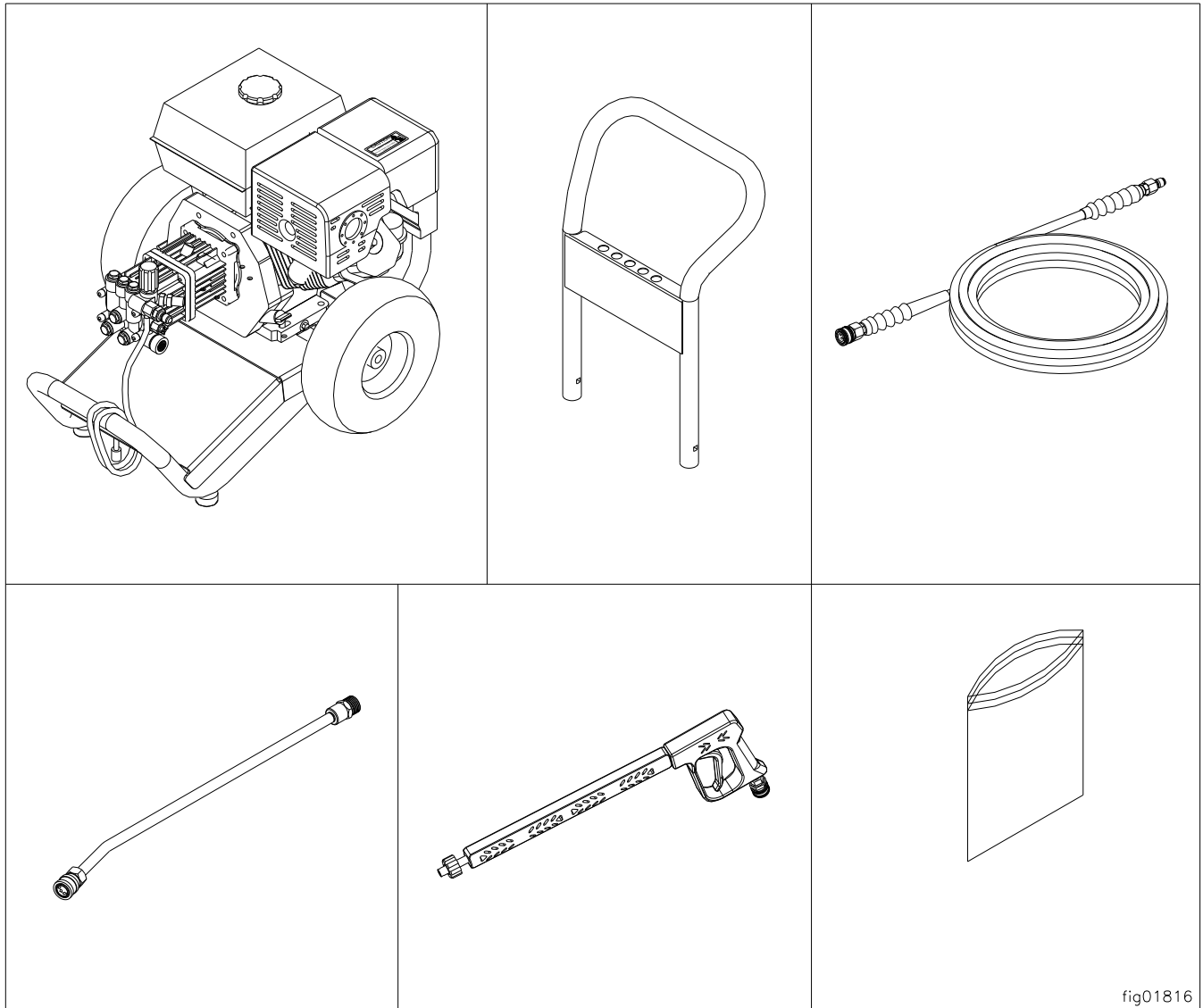
# Initial Set-Up

## Step 1. Inspect & Unpack

Upon receiving your item check for missing or damaged parts.

See “*Component Identification*” section of this manual for a diagram of the pressure washer and its components.

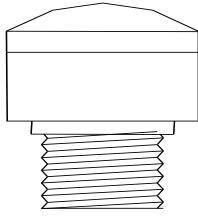
- For missing or damaged components, contact Product Support at 1-800-350-8739.
- If complete, fill out product serial number information. See “*Limited Warranty*” section of this manual.



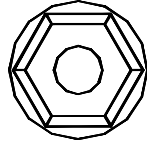
\* Depending in model, components may appear differently than illustrated

**Any Questions, Comments, Problems or Parts Orders call Brave Product Support  
at 1-800-350-8739.**

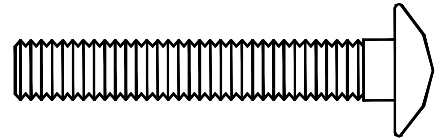
# Hardware Bag



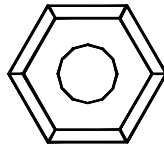
Vented fill cap  
BR2528HCO, BR2530HCO



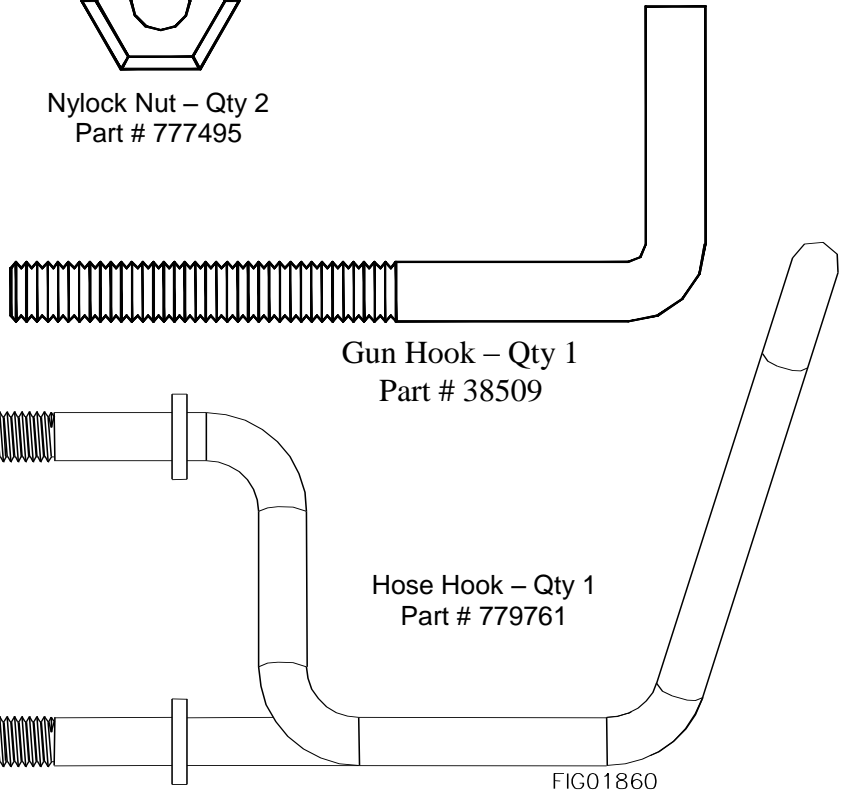
Flange Nut – Qty 2  
Part # 82019



Carriage Bolt – Qty 2  
Part # 82233



Nylock Nut – Qty 2  
Part # 777495



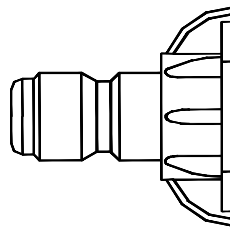
Gun Hook – Qty 1  
Part # 38509

Hose Hook – Qty 1  
Part # 779761

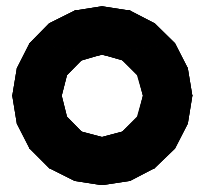
FIG01860



T- Handle Knob – Qty 2  
Part # 38578



Nozzle – Qty 2 or 5  
Varies by model



Grommet – Qty 5  
Part # 35198

## Step 2. Assembly

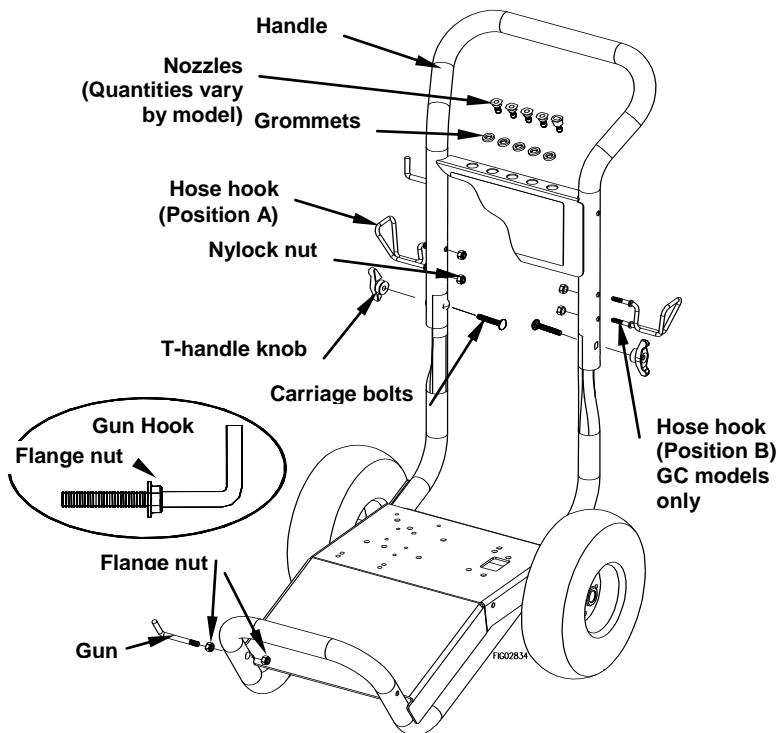
Note: Remove contents from packaging to begin assembly.

### Handle Assembly

- 1.) Attach handle to base using:
  - a. (2) Carriage Bolts (82233)
  - b. (2) T-Handle Knobs (38578)
- 2.) Mount hose hook onto the handle using:
  - a. (1) Hose Hook (779761)
  - b. (2) Nyloc Nut (777495)

**NOTE:** See picture below for hose hook location for GC Model.

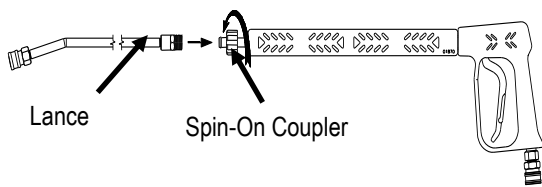
- 3.) Insert the Nozzle's into the Nozzle Holder



### Spray Gun Assembly

- 4.) Attach the Lance to Spray Gun
  - a.) Tighten spin-on coupler hand tight.

**Note:** The o-rings make the seal so there is no need to tighten with a wrench.



## Step 3. Select Suitable Location

### Moving and Handling

Moving your pressure washer around

- Use the handles to manually move the pressure washer.
- Push the pressure washer in front of you as you walk.
- To turn, push down slightly on the handles and pivot the pressure washer on its wheels.

Elevating or lowering your pressure washer

- To reduce risk of injury, it is recommended that two adults lift the pressure washer.
- Only lift the pressure washer by the bumper and handle. Do not use the pump or engine as a lifting point.

#### **WARNING: Lifting hazard**

The pressure washer is heavy. It can crush and cause serious injury if it rolls out of control or tips over. Follow the instructions below for safely moving the pressure washer.

### Outdoor Use Only

Select a suitable outdoor location:

1. Never run the pressure washer in an enclosed or partially enclosed location such as a building, garage, barn, shed, or house. These spaces can trap poisonous gases. Running a fan or opening windows will not provide adequate ventilation to prevent dangerous CO build-up.
2. Only use the pressure washer outdoors at least 20 feet from the home, away from windows, vents and air intakes, to allow proper ventilation. If you start to feel sick, dizzy, or weak while using the pressure washer, shut off the engine and get to fresh air RIGHT AWAY.
3. Place the pressure washer so that the exhaust fumes will not be directed towards people or building air intakes.
4. Do not locate and use the pressure washer in the presence of flammable vapors, dust, gases, or other potentially combustible materials.
5. Ensure that working, battery-operated or battery back-up carbon monoxide alarms are used in any dwelling/structure that is in close proximity to the running pressure washer.
6. Note that this pressure washer is NOT designed or approved for use in vehicles or marine applications. Never run the pressure washer

inside RVs or other vehicles, on boats, or on pick-up truck beds.

**⚠ WARNING: Location hazards**

Choose a suitable site for operating your pressure washer to prevent possible death from carbon monoxide poisoning or injury from fire/explosion, hot surfaces or equipment tip-over.

**Positioning:**

1. The pressure washer should be positioned on a firm, level (less than 3 degree slope), heat-resistant surface with good drainage and a nearby water supply.
2. The pressure washer should be placed within garden hose distance of a continuous water supply. Ensure that the pressure washer sits level and will not slide or shift during operation. If applicable, block the pressure washer's wheels to prevent movement.
3. Situate so there is adequate pulling room for starting the engine using the recoil starter. Attempting to pull at an odd angle could rip off grip cord and/or cause muscular injuries to the operator.

**Airflow:**

1. Situate so there is adequate clearance around pressure washer to allow for airflow – at least 7 feet from any non-combustible wall or obstruction.
2. Do not operate with a tarp, blanket, or cover surrounding the machine.
3. Do not place any objects against or on top of the unit.
4. The pressure washer needs adequate, unobstructed flow of air to allow for proper combustion and adequate cooling. Proper combustion can only be obtained when there is a sufficient supply of oxygen available for the amount of fuel being burned. Cooling ventilation is required to prevent overheating of the pressure washer and possible fire.

**Exhaust:**

**⚠ WARNING: Exhaust Modification hazard**

Never attempt to attach ductwork to the muffler system to allow for installation inside an enclosure. This could cause heat build-up and increased exhaust back-pressure, resulting in possible exhaust leakage or damage to the pressure washer.

1. The exhaust gas from your pressure washer is extremely hot and can cause combustible materials to catch on fire.
2. Make sure the engine is at least 7 feet from all combustible materials and structures during operation.
3. Keep a fire extinguisher rated "ABC" nearby. Keep it properly charged and be familiar with its use.
4. Place the unit so that the exhaust fumes will not be directed towards people or building air intakes.

**⚠ DANGER: Carbon monoxide hazard**

Exhaust fumes from the engine contain carbon monoxide (CO), a poisonous gas you cannot see, smell, or taste. The CO generated by the engine can rapidly accumulate, even in areas that appear to be well ventilated, resulting in dangerous and fatal concentrations within minutes. NEVER run pressure washer inside any enclosed or semi-enclosed spaces, including homes, garages, basements, sheds, boxes, pick-up truck beds, RVs, or boats. These spaces can trap poisonous gases, EVEN if you run a fan or open windows. If you start to feel sick, dizzy, or weak while using the pressure washer, shut off the engine and get to fresh air RIGHT AWAY. See a doctor. You may have carbon monoxide poisoning.

**Install Spark Arrestor (if Required)**

Equip engine with spark arrestor if machine will be used near any ignitable forest, brush, or grassy land. (See engine Owner's Manual provided to determine if the engine is already equipped.) Make sure you comply with applicable local, state, and federal codes.

# Operation

## Follow Safety Rules for Operation

After you have checked and fueled the equipment and positioned it in a suitable worksite, it is time to start your pressure washer. The following are the procedures necessary for safe, successful operation of your pressure washer.

### WARNING

Failure to follow safety rules may result in serious injury or death to the operator or bystanders.

**Instruct operators.** Owner must instruct all operators in safe set-up and operation. Do not allow anyone to operate the pressure washer who has not read the Owner's Manual and been instructed on safe use practices.

**Safety equipment/controls.** Always operate with all safety covers, guards, and barriers in place and in good working order, and all controls properly adjusted for safe operation.

**Moving parts.** Keep hands, feet, hair and apparel away from moving parts. Air vents may cover moving parts and should be avoided as well. Never remove any guards while the unit is operating.

**Ear Protection.** Hearing can be damaged from prolonged, close-range exposure to the type of noise produced by this pressure washer. The use of ear plugs or other hearing protection device is recommended for persons working within 15-20 feet of the running pressure washer for an extended period of time.

**Eye Protection.** Wear ANSI/OSHA required "Z87.1" safety glasses when operating or servicing the pressure washer. Pressurized spray from this unit can cause severe injury to the eyes. Small objects can become airborne as the spray contacts them.

### NOTE!

Before starting the pressure washer, review the following general safety rules for operation:

### Conditions for Use

**Know how to stop.** Be thoroughly familiar with proper use of the equipment and all controls and connections. Know how to stop the pressure washer and depressurize system quickly if needed.

**Instruct all operators.** The pressure washer's owner must instruct all operators and potential renters in safe

set-up and operation. Do not allow anyone to operate the pressure washer who has not read the Owner's Manual and been instructed on its safe use.

**Adult control only.** Only trained adults should set up and operate the pressure washer. Do not let children operate. Pressure washers can generate forces greater than children can control and require judgment beyond what can be expected of children.

**Under the influence.** Never operate, or let anyone else operate, the pressure washer while fatigued or under the influence of alcohol, drugs, or medication.

**Safety equipment / controls in place.** Do not operate the pressure washer unless all safety covers, guards, and barriers are in place and in good working order, and all controls are properly adjusted for safe operation.

**Damaged.** Do not operate the pressure washer with damaged, missing, or broken parts. Never attempt to repair a high pressure hose or component. Always replace it with a part that is rated at or above the pressure rating of the machine.

**Modifications.** Do not modify the pressure washer in any way or deactivate any safety device. Do not change or add to fuel tank, fuel lines, or exhaust system. Modifications can result in hazards related to carbon monoxide poisoning, fuel leaks, fire, explosion or other serious safety hazards, and will also void the warranty.

### During Use

**Stay alert.** Watch what you are doing at all times.

**Clear work area.** Clear the work area of all bystanders.

**Keep children and pets away.**

**Keep spray away from electrical wiring.** Spray contact with electrical wiring will likely result in severe electrical shock or electrocution.

**Hot exhaust/parts.** Stay clear of engine exhaust. Never touch hot engine muffler, or other hot surfaces. All are very hot and will burn you.

**Do not direct spray at this machine.** Do not attempt to clean this machine with its own spray. Engine damage will result. Cleaning should be done with a damp sponge with the engine OFF.

**Let engine cool at least two minutes before refueling.**

**Avoid inhalation of exhaust.** This product emits CO and chemicals known to the State of California to cause cancer, birth defects or other reproductive harm.

**Never pull by hose.** Do not move this machine by pulling on the hose. Hose or connections could fail and result in catastrophic high pressure release of fluid as well as hose whipping.

**Avoid sharp objects.** Keep hose away from sharp objects. Bursting hoses may cause injury.

**No load bearing.** Do not use the pump to support other items of equipment that impose unacceptable loads on the pump. Do not attempt to use this machine as a prop.

**Lock trigger safety latch when not spraying.** Spray gun is equipped with a built-in trigger safety latch to guard against accidental trigger release. Rotate safety latch to the locked position when not spraying.

**Leaving unattended.** Always turn off the pressure washer and relieve system pressure before leaving the sprayer unattended.

### Prompt Emergency Response

**Seek medical aid for suspected injection injury.** If injured by high-pressure fluid, no matter how small the wound is, see a doctor at once. A typical injection injury may be a small puncture wound that does not look serious. However, severe infection or reaction can result if proper medical treatment is not administered immediately by a doctor who is familiar with injection injuries.

**Seek medical aid for suspected carbon monoxide poisoning.** The running engine gives off carbon monoxide, a poisonous gas that can kill you. If you start to feel sick, dizzy, or weak while using the pressure washer, shut off the engine and get to fresh air RIGHT AWAY. See a doctor. You may have carbon monoxide poisoning.

### Put on Personal Protective Gear

**WARNING: Personal Protective Gear**  
Use personal protective gear to prevent:  
- Eye and skin injection injury from high pressure spray  
- Eye injury from flying debris

1. Wear waterproof gloves, safety glasses with side and top protection, face protection, and protective clothing when operating the machine. If spraying pressure washer specific chemicals, wear a respirator mask to avoid inhalation of vapors if directed on the chemical label.
2. Wear non-slip, protective footwear. Use of pressure washer can create puddles and slippery surfaces. Wear footwear capable of maintaining a good grip on wet surfaces.

## Preparing for Operation

Make sure that any regular maintenance has been performed as prescribed in "Maintenance & Repair" section.

### Check/Add Oil to Pump

**CAUTION**  
Never run the pump without sufficient lubrication!

1. Check oil level. Verify that oil level is half way up the sight glass (or at the indicator line on the dip stick).
2. If oil level is low, use the following:

Pump	Model	Oil Type
Comet VRX	BR2528HCO	U.T.T.O (Universal Tractor Transmission Oil) part # COCP2101 or Mobil 1 Synthetic Oil 15W50
Comet AXD 2530G	BR2530HCO	
Cat 4DNX	BRP2530HCA	SAE 30 Non- Detergent Oil or Cat Pump Oil part # 22158
Cat 4SPX	BRP3033HCA	
Cat 66DX	BRP3540HCA	

3. Replace vented fill cap.

### Check/Add Engine Oil

Use the recommended oil type for your engine and expected ambient conditions. (See engine Owner's Manual for oil type and capacity, and more detailed oil check/fill instructions.)

**WARNING: Burn Hazard**  
Never open oil port while engine is running. Hot oil can spray over face and body.

#### Notes:

- Low oil shutdown feature prevents the engine from starting without sufficient oil. This does not apply to model # BR2528HCO and BR2530HCO.
- Engine is shipped without oil. You must add oil before first use.

### Add Fuel

**WARNING: Fuel Fire/Explosion Hazard**  
Gasoline is highly flammable and explosive. Heat, sparks, and flames can ignite fuel vapors, which can become widespread during fueling. A flash fire and/or explosion could result and cause serious injury or death. Always use extreme care when handling fuels. Carefully follow all instructions to avoid the following conditions which could result in fuel ignition:

- gas vapor collection inside enclosures
- static electric sparks
- sparks from electric wiring, batteries, or running engines
- sources of heat (such as a hot engine exhaust)
- open flames, including pilot lights

### Always follow these general safety rules when fueling:

- 1) Turn pressure washer off and allow to cool for at least two minutes before removing any fuel cap.  
Note: A running or still-hot engine is hot enough to ignite fuel.
- 2) Fill fuel tank OUTDOORS – never indoors. Fuel vapors can ignite if they collect inside and enclosure and explosion can result.
- 3) Stay away from all sources of heat, sparks, and flames. Do not smoke.
- 4) Never pump fuel directly into the gas tank at a gas station – it could cause a static electric spark.  
Follow these steps to avoid static electric sparking during fueling:
  - Use an approved portable container to transfer fuel to the pressure washer's tank. (A portable container made of metal or conductive plastic is preferred because it dissipates charge to ground more readily.)
  - Always place container on the ground to be filled. Never fill the portable gas container while it is sitting inside a vehicle, trailer, trunk, or pick-up truck bed.
  - Dissipate static charge from your body before beginning the fueling process by touching a grounded metal object at a safe distance from fuel sources.
  - Keep nozzle in contact with container while filling. Do not use a nozzle lock-open device.
- 5) Clean up fuel spills/splashes immediately.
  - If possible, move the pressure washer away from spilled fuel on the ground.
  - Wipe up spilled fuel and wait 5 minutes for excess fuel to evaporate before starting engine.
  - Fuel soaked rags are flammable and should be disposed of properly.
  - If fuel is spilled on your skin or clothes, change clothes and wash skin immediately.

### Fill Engine Fuel Tank

Check the gasoline tank level. If needed, fill tank with fresh unleaded gasoline from a portable container:

- 1) Remove engine gas cap.
- 2) Add gasoline through the fill opening:
  - Use only a UL-approved portable gasoline container to transfer the gasoline to engine's tank.

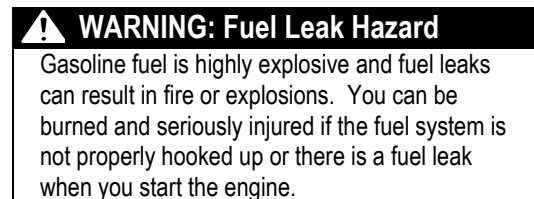
- Do NOT overfill the gasoline tank. Allow at least 1/2" of empty space below the fill neck to allow for fuel expansion.
- 3) Replace gas cap securely before starting engine.
  - 4) Store extra gasoline in a cool, dry place in a UL approved tightly sealed container.



### Inspect Fuel System/Check for Leaks

Inspect the engine fuel system and check for leaks before each use.

Do not start pressure washer until all needed repairs have been completed.

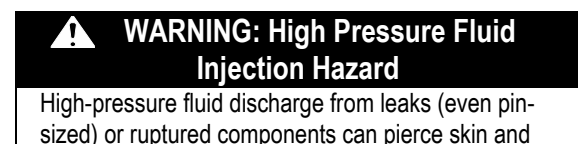


Inspect the entire fuel system. Look for:

- signs of leaks or deterioration
- chafed or spongy fuel hose
- loose connections
- loose or missing fuel hose clamps
- damaged fuel tank or
- defective gasoline shut-off valve

### Inspect Spray System

Always inspect spray system for damage and leaks before each use. Do not start pressure washer until all needed repairs have been completed.





inject fluid into the body. Injection injury can result in blood poisoning and/or severe tissue damage leading to infection, gangrene, and possibly amputation.

- Never use a finger or skin to check for leaks.
- Never operate machine with damaged or missing hoses/parts.
- Never attempt to repair a high-pressure hose or component – Always replace it with a part that is rated at or above the pressure rating of this machine.

### Perform Scheduled Maintenance, As Needed

Make sure that any other regular maintenance has been performed as prescribed in this manual in the "Maintenance Schedule Summary" section.

Refer to the engine owner's manual for engine maintenance instructions.

### Connect Hoses, Water Supply, and Spray Nozzle

#### Position pressure washer for use

- For detailed instruction on positioning your pressure washer for use, turn to the "Initial Set-Up" section of this manual and reference "Step 3: Select Suitable Location".
- Where no flammable vapors, dusts, and gases are present.
- Where there is adequate, unobstructed ventilation airflow.
- With adequate clearance from combustible materials.
- On a firm, level, heat-resistant surface with good drainage and nearby access to a continuous water supply.

#### Attach Garden Hose to Water Inlet

- 1.) Make sure the water supply is clean. Debris can cause excess pump wear and reduce performance.
- 2.) An insufficient water supply will damage your pump. Make sure the water supply is steady and is 20% over the rated flow of your pump. Use a stopwatch to time how long it takes to fill a 5-gallon bucket with your garden hose. The bucket must fill faster than the times listed in the table below.

Model	Time to fill 5 gallon bucket
BR2528HCO	100 seconds
BR2530HCO	100 seconds
BRP2530HCA	100 seconds
BRP3033HCA	84 seconds
BRP3540HCA	72 seconds

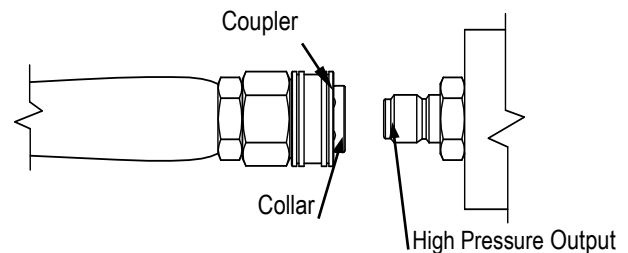
- 3.) The water supply garden hose must have an inside diameter of at least 5/8". If the hose is more than 100 ft. long, the diameter must be at least 3/4".
- 4.) Never use a reservoir tank as a water source. Drawing water out of a tank may cause pump cavitation and damage to your pump. This pressure washer is designed for a pressurized water source such as a city water faucet. However, the water source pressure must not exceed 115 psi (8 bar).
- 5.) Always use a flexible rubber hose for your water supply. Do not use rigid piping.

### Attach High Pressure Hose to Spray Gun and Water Outlet

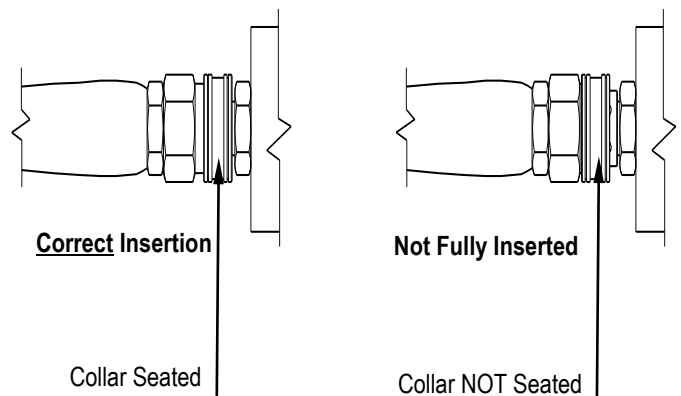
#### ! WARNING: High Pressure

NEVER operate this pump with components (such as hose, connections, and spray gun) rated for lower pressure and/or temperature limits than the machine's maximum rated pressure and temperature, or component could rupture and cause serious personal injury from escaping high pressure fluids.

1. See "Component Identification" section of this manual for location of the pressure washer's water outlet.
2. Your pressure washer hose is equipped with quick couplers. Simply pull the collar back and push the coupler onto the water outlet nipple. The collar should slide over the ball bearings.



3. Release the collar, making sure it springs back and re-seats to its original (non-retracted) position. Check the connection by pulling on the hose to ensure a positive connection.



## Select Nozzle for Spray Gun

Your pressure washer is equipped with four high-pressure nozzles and one low-pressure nozzle. Generally, the wider the spray angle of the nozzle, the lower the spray impact produced. Select the appropriate nozzle for the job based on the following table:

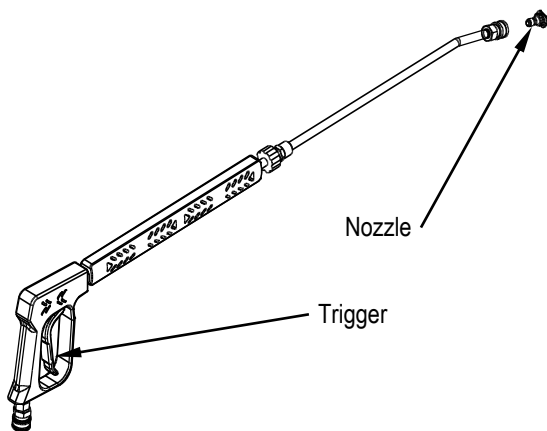
Color of Nozzle:	Spray Angle	Used For:
Red	0	Highest Impact
Yellow	15	Tough Stains/Stripping
Green	25	General
White	40	Light Cleaning
Black-Low pressure	65	Chemicals

NOTE: You must use the low pressure black nozzle for spraying chemicals.

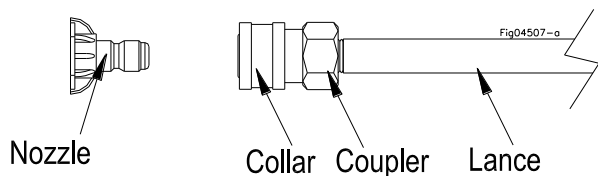
## Attach Nozzle to Spray Gun

### **⚠ WARNING: Depressurize First**

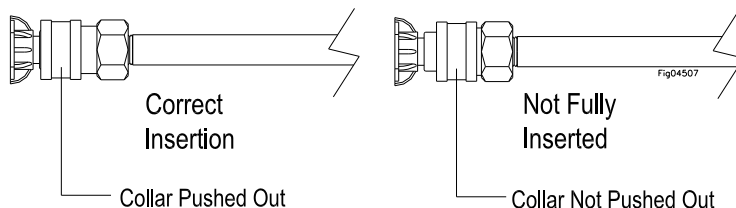
Any time you remove/install/change a nozzle, you must depressurize hose line by squeezing the spray gun trigger while the engine is off. Even if the engine has been off for a long period of time, the hose may remain dangerously pressurized.



1. Make sure the engine is off and the hose line depressurized.
2. To install the nozzle, pull the collar back and twist the nozzle firmly into the coupler on the end of the wand



3. Release the collar, making sure it springs back and re-seats to its original (non-retracted) position. *Check the connection by pulling on the nozzle to ensure a tight connection -- if correctly inserted, nozzle will rotate but not pull out.*



## Prime the Water Supply

### Turn on water supply and squeeze the trigger

#### **CAUTION: Water Pressure**

Never run the pump without the water supply connected and turned on. Operating the pressure washer without a sufficient incoming flow of water will damage the pump.

- Turn on the water supply. Make sure the water supply is steady and flowing at a rate 20% over the rated flow of your pump. (Reference the flow rate table under the Connect Hoses, Water Supply, and Nozzle" section).
- Purge air from the water supply hose by squeezing the trigger until a steady stream of water flows out of the nozzle at low pressure. (Air in the hoses can cause damage to the pump, so always make sure all the air is out of the hoses before starting the pressure washer engine.)
- Make sure the water supply hose is not kinked. A kinked hose will provide insufficient water supply to the pump and reduce its life. Make sure the hose remains unkinked after moving the pressure washer.

## Set Up for Chemical Spray (if desired)

### Prepare for Chemical Spray (if planning to use)

Using the proper cleaning chemical for the application can speed up cleaning jobs tremendously.

Your pressure washer is equipped with a chemical injection point on the downstream side of the pump for introducing cleaning chemicals into the water stream. A braided chemical hose is provided to connect at this point. Suction pressure at this connection automatically draws the chemical solution in through the hose, mixing in 1 part chemical to 15 parts water. Adequate suction pressure is created only when the low pressure (black) spray nozzle is used.

The introduction of cleaning chemicals via the chemical injection point affords the following advantages:

- It protects the pump from damage because no chemical passes through the pump.
- It mixes the cleaning chemical into a low pressure spray. Cleaning chemicals applied under low pressure adhere better to the surface being cleaned, allowing the formula time to react and remove dirt more effectively.
- **Note:** An external *upstream chemical injector* is not recommended for use with this pressure washer, and if used would obviously alter the 15-to-1 dilution ratio and may cause pump damage.

### CAUTION: Chemicals Containing Muriatic Acid

Certain chemicals, such as bleach or those containing muriatic acid, will cause pump damage if introduced upstream through the pump's water inlet.

### WARNING: Chemical Spraying

- Never spray acids, corrosives, or abrasive or flammable liquids. Breathing hazards, surface burns/corrosion, or fire/explosion could result.
- Follow the chemical manufacturer's label instructions for proper use and handling of the chemical. Understand all safety hazards and first aid for all chemicals being used. Always wear protective gloves when handling and cleaning with chemicals, and wear other protective gear as directed by chemical manufacturer. Always dispose of hazardous fluids per local, state, and national guidelines.

## Acquire Cleaning Chemical

Use only approved pressure washer chemicals or chemicals specifically formulated for use with pressure washers.

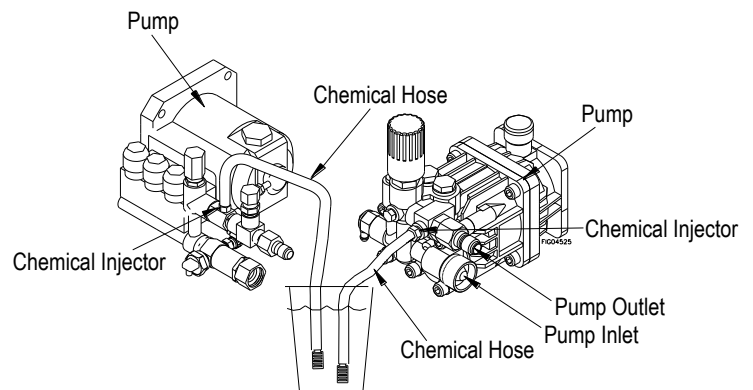
### CAUTION: Non-approved Chemicals

Non-approved chemicals can damage pressure washer components (seals, wand, hoses, pump, etc.) and be harmful to the environment.

### Prepare for Chemical Spray (If Planning to Use)

Prepare the pressure washer for chemical spraying using the following steps:

1. Prepare (dilute) chemical cleaning solution as required for the job.  
(Note: the chemical solution will be automatically mixed with the water at a ratio of 15 parts water to 1 part chemical solution.)
2. Press the braided chemical hose over the chemical injector on the pump.
3. Submerge the suction strainer connected to the braided chemical hose into a bucket containing the chemical solution.



## Start-Up Procedures

### Start the Engine to Power the Pump.

1. Make sure water supply is connected and primed.

#### **CAUTION: Warranty Void**

Running the pump dry will cause damage and void the warranty.

2. To prevent accidental spraying, engage the safety latch on spray gun trigger by rotating it to the locked position.
3. Follow the instructions in the Engine Manual for starting the engine.

- If the engine doesn't start on the first try, pressure may build up in the pump. Relieve pressure by squeezing the spray gun trigger before attempting to start engine again. This will make starting easier.

#### **DANGER: Engine Exhaust**

Do not inhale engine exhaust. It contains dangerous carbon monoxide that can kill you.

### Apply Cleaning Chemical (If Desired)

1. Make sure the chemical injector is properly set up according to the instructions. Reference "Set Up for Chemical Spray" on the previous page.
2. Make sure the low pressure BLACK nozzle is attached before beginning to spray chemicals -- *Only the low pressure black nozzle will allow chemicals to be drawn through the chemical injector into the water stream.*
3. Apply chemicals by squeezing the spray gun trigger. The chemical injector will draw the chemical into the water stream.
4. Apply chemicals evenly to the cleaning surface. Never use more chemical than is necessary to clean the surface.
5. Allow the chemicals time to react with the dirt before rinsing.
6. Prepare to rinse by changing to a high-pressure nozzle. Changing the nozzle from the low-pressure black nozzle to a high-pressure nozzle will stop the flow of chemicals into the water stream.  
*Instructions for selecting a nozzle can be referenced in the "Connect Hoses, Water Supply, and Spray Nozzle" section, see the subsection "Select Nozzle for Spray Gun".*
7. Rinse with high-pressure spray as instructed below.

## Begin High Pressure Spray

### **WARNING: High Pressure Spraying Safety**

- **Keep spray away from people.** Never direct discharge stream at or near any person. Do not allow any part of the body to come in contact with the fluid stream. High-pressure spray can cause serious skin, eye, or falling injuries. Injection injury will occur if high-pressure spray pierces the skin, injecting liquid under the skin. Injection injury can result in blood poisoning and/or severe tissue damage leading to infection, gangrene and possibly amputation. Seek medical attention.
- **Do not secure trigger open.** To reduce risk of injury, do not attempt to secure the spray gun open by blocking or tying the spray gun in the open position.
- **Prevent slips / loss of balance.** High-pressure spray could cause you to lose balance from kickback forces, and wet surfaces can be slippery.
  - Keep good footing and balance at all times. Do not overreach.
  - Do not stand on unstable support when spraying.
  - If spraying from an elevated surface, use fall protection because spray gun kickback can propel you off the elevated surface. When spraying from a ladder or scaffolding, ensure it is firmly anchored from sway or tip-over.
  - Be aware of puddles and slippery surfaces. Ensure there is adequate drainage to prevent pooling of water.
- **Prevent surface damage & flying debris** – Surfaces being sprayed must be strong enough to withstand high-pressure spray or damage may result. In addition, high-pressure spray will dislodge unsecured objects as well as surface chips and debris, resulting in hazardous flying objects that can cause personal injury or property damage. Do not spray brittle surfaces or breakable, fragile, or unsecured objects such as:
  - stucco or laminar flagstone
  - some painted surfaces
  - windows or glass doors (because they may break)
  - light fixtures, flowerbeds, mailboxes
  - unsecured, lightweight objects

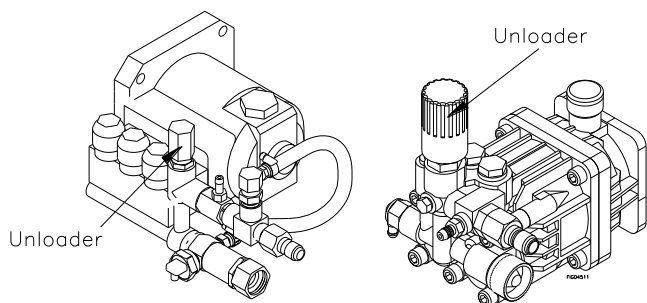
### **Procedure:**

1. Put on one of the high-pressure spray nozzles (always relieve system pressure first and follow instructions for attaching a nozzle).
2. Clear the cleaning area of all persons. Keep children and pets away.
3. Hold the spray gun firmly with two hands and a sturdy stance -- Gun kicks back when triggered.

4. Wash from the bottom to the top, using side-to-side motions. This washes away heavy dirt and allows the detergent to soak as you work toward the top.
5. Use the width of the spray pattern to wash a wide path. Overlap spray paths for complete coverage.
6. The nozzle should be 12" to 24" from the work, closer for tough areas.
7. Small parts should be washed in a basket so the pressure does not push them away. Larger, lightweight parts should be clamped down.
8. The pressure washer is set and locked to the maximum rated pressure when it leaves the factory. To reduce the pressure, turn the unloader knob counterclockwise. To return to maximum pressure turn unloader knob clockwise.

**⚠ WARNING: Warranty Void**

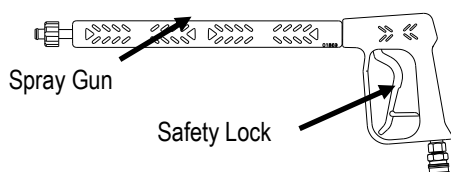
Do not attempt to alter the unloader valve's maximum pressure. Excess pressure could cause serious injury from escaping high-pressure fluids and/or pump damage. Any alteration other than turning the adjustment knob will void your warranty.



9. If temporarily interrupting spraying, rotate trigger safety latch downward to the locked position to guard against accidental trigger release.

**Spray Gun Safety Lock**

When not spraying, use the spray gun safety lock to prevent accidental high pressure discharge.



10. Always turn off the engine and activate spray gun trigger to relieve system pressure when:
  - the sprayer is unattended
  - disconnecting hoses, installing/cleaning nozzles, or servicing the pump.

**⚠ WARNING: Injury**

Always turn off the engine and relieve system pressure when finished spraying or when leaving sprayer unattended. Serious injury could result from unintentional release of high-pressure spray.

**Shutdown**

**Stop the engine using the following steps:**

**⚠ WARNING: Injury**

Never disconnect the high-pressure hose from the pump or spray gun while the system is pressurized. Relieve pressure by squeezing the spray gun trigger after the engine is turned OFF.

1. Turn engine OFF.
2. Turn water supply OFF.
3. *Actuate spray gun trigger to relieve system pressure.*
4. Remove garden hose.
5. Remove pressure hose.
6. Remove nozzle from spray gun.
7. Turn gasoline line valve to the OFF position.
8. If chemicals were used, remove chemical injector tube from the pump.
9. Cool engine at least five minutes before storing, a hot engine is a fire hazard.

## Storage

When you are finished using the pressure washer, you must prepare the sprayer for storage and store it in a proper location.

### Between-Use Storage

**Perform periodic maintenance** as directed in this manual to keep the pressure washer in safe working condition.

**Choose a storage location that is:**

- Clean and dry.
- Away from sources of heat, open flames, sparks, or pilot lights, even if the pressure washer's engine fuel tank is empty. Residual fuel fumes from tank can ignite.

Away from extreme high or low temperatures. Do not store the pressure washer in freezing conditions unless it is prepared as directed below for those conditions.

*Note:*

- **If you will be storing the pressure washer in freezing conditions**, follow the instructions for preparing the sprayer for storage in freezing conditions.
- **If you will not be using the pressure washer again for 30 days or more**, follow the instructions for preparing the engine for long-term storage.

#### **⚠ WARNING: Flammable Materials**

- **Fuel and its vapors can ignite and cause a fire.** Select a well-ventilated storage area away from sources of heat, flame, or sparks.
- **A hot engine can ignite flammable materials.** Always let engine cool at least five minutes before storing.

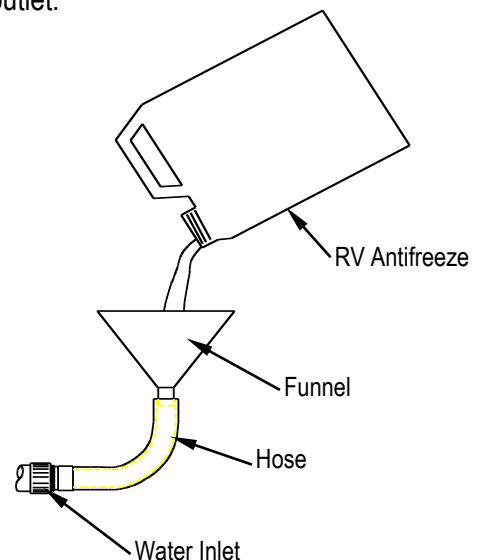
### Prepare Pressure Washer for Freezing Conditions

**If you will be storing the pressure washer in freezing temperatures, you must properly prepare the pressure washer to prevent water from freezing in the system.**

#### **⚠ WARNING: Freezing Conditions**

Do not allow water to freeze in the pressure washer, high pressure hose, or spray gun. Freezing water can cause damage to the equipment and cause the spray gun to fail in the open position. A spray gun that has failed in the open position can whip around and cause personal injury when the pressure washer is started.

1. Drain the water from the high pressure hose and spray gun by depressing the trigger on the spray gun until all water drains out.
2. Disconnect the plumbing that connects to the pump outlet.
3. Obtain the materials you will need:
  - 12" piece of garden hose or equivalent
  - funnel
  - approximately 6 oz. of RV antifreeze.
4. Attach the 12" garden hose piece with the funnel to the pump inlet.
5. Pour RV antifreeze into the funnel, then, pull the recoil a few times until antifreeze comes out of the pump outlet.



### Prepare Engine for Long Term Storage

**First prepare the engine for long term storage if you will not be using the pressure washer for more than 30 days.**

Fuel can become stale when stored over 30 days. Stale fuel causes acid and gum deposits to form in the fuel system which can cause malfunction of the engine.

1. Prepare fuel system for storage:
  - **Drain all gasoline** from the tank and carburetor. This is most easily accomplished by *running the pressure washer with the high pressure hose* until the engine stops from lack of fuel.

**OR**

- **Add fuel stabilizer** to the gasoline (following manufacturer's instructions)

Fuel stabilizer steps:

- a. Ensure gas tank is full.
  - b. Add fuel stabilizer to fuel tank.
  - c. *Run pressure washer with high pressure hose* at least 5 minutes after adding stabilizer to allow it to enter the fuel system.
  - d. Shut off engine
2. Lubricate cylinder and piston:
    - a. Disconnect spark plug wire and remove spark plug
    - b. Add one teaspoon oil through spark plug hole
    - c. Place rag over spark plug hole and slowly pull the recoil a few times to lubricate the combustion chamber.

**Replace spark plug, but do not reconnect the spark plug wire.**

### **Prepare Pressure Washer for Storage**

**Prepare the pressure washer for storage.**

1. Make sure the engine start switch is OFF.
2. Disconnect the engine spark plug wire if you haven't already done so.
3. Disconnect the high-pressure hose, garden hose, and spray gun.

### **Move Pressure Washer to Storage Location**

Let engine cool for 5 minutes before moving the pressure washer to its storage location.

# Maintenance & Repair

## **WARNING: Maintenance Hazards**

ALWAYS shut off water supply, bleed water pressure, turn off engine and disconnect the spark plug wire before cleaning, adjusting, or servicing the pressure washer. After servicing, make sure all guards and cover shields are replaced before using.

## Maintenance Schedule Summary

Item	Frequency
Remove dust/debris accumulation	As needed
Inspect fuel system	Each use
Inspect spray system	Each use
Clean inlet filter	Each use
Check tire pressure	Each use
Perform engine maintenance	As specified in Engine Owner's manual
Change pump oil	<ul style="list-style-type: none"><li>• After first 50 hours of use</li><li>• Every 3 months or 500 hours of use after that</li></ul>

**See detailed instructions for each maintenance item below.**

(Note: For end-of-the-season storage instructions, see the "Storage" section of this manual.)

See detailed instructions for each maintenance item below.

## Detailed Instructions – Maintenance & Repair

**No modifications.** Never modify or alter the pressure washer in any way. Modifications can create serious safety hazards and will also void the warranty.

### Follow Safety Rules

**Read and follow these safety rules whenever you will be servicing the pressure washer:**

- **Turn off / relieve pressure first.** Always turn off pressure washer and relieve system pressure before inspection or maintenance. Remove spark plug or spark plug wire to prevent accidental starting.
- **Fuel valve off.** Turn fuel shut-off valve to OFF position before transporting or servicing the pressure washer.
- **Replace guards.** Make sure all guards and cover shields are replaced after servicing the pressure washer.
- **Major repair.** Major service, including the installation or replacement of parts, should be performed only by a qualified service technician. Obtain factory approved parts from Brave Product Support at 1-800-350-8739.

- **Replacement parts.** If a part needs replacement, only use factory approved repair parts. Replacement parts that do not meet specifications may result in a safety hazard or poor operation of the pressure washer and will void the warranty.

### Keep Pressure Washer Clean

If dust or debris accumulates on the pressure washer, clean the pressure washer with a damp cloth or soft bristle brush. Do not allow air intakes to become blocked.

### **CAUTION**

Do not spray pressure washer with a garden hose or pressure washer. Water may enter the pressure washer and cause damage.

### Inspect Spray System

**Inspect spray system for damage and leaks before each use.**

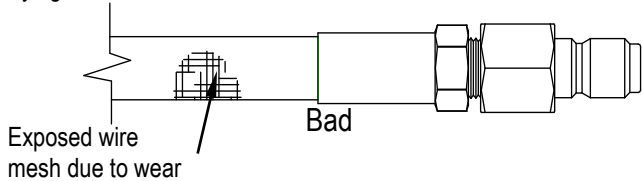
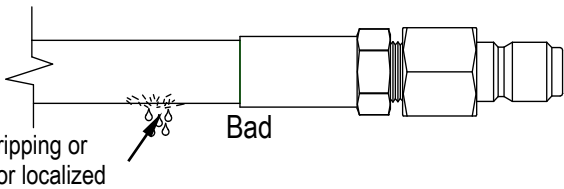
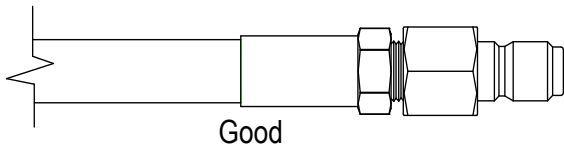
Do not start pressure washer until all needed repairs have been completed.



**⚠ WARNING: High Pressure Fluid Injection Hazard**

High pressure fluid discharge from leaks (even pin-sized) or ruptured components can pierce skin and inject fluid into the body. Injection injury can result in blood poisoning and/or severe tissue damage leading to infection, gangrene, and possibly amputation.

- Never use a finger or skin to check for leaks.
  - Never operate machine with damaged or missing hoses/parts.
  - Never attempt to repair a high-pressure hose or component – Always replace it with a part that is rated at or above the pressure rating of this machine.
- 1) Check hoses, fittings, wand, trigger gun and connections for signs of wear, cracks, looseness, or leaks. Replace as required.
  - 2) Check and clean the nozzle orifice.



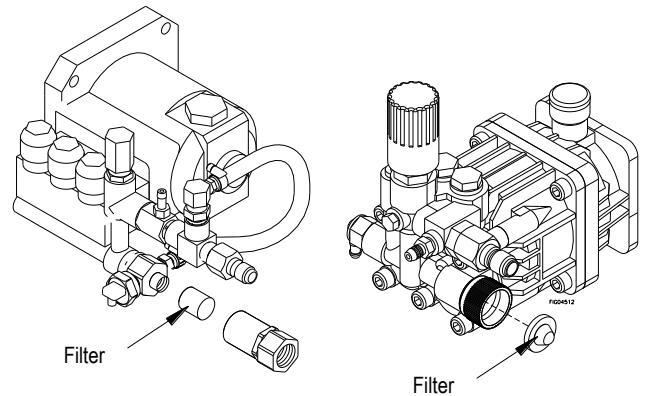
### Clean Inlet Filter

Clean the inlet filter before each use.

**⚠ WARNING: Filter Disposal**

When cleaning filters, check whether dangerous chemicals have been used with the filter and take any precautions that may be recommended by the manufacturer of these chemicals. Always dispose of hazardous fluids per local, state, and national guidelines.

- 1) Unscrew garden hose from water inlet (if connected).
- 2) Unscrew inlet filter.
- 3) Remove filter screen.
- 4) Run water through filter screen to clean.
- 5) Reassemble



### Inspect Fuel System

Inspect the engine fuel system and check for leaks before each use.

Do not start pressure washer until all needed repairs have been completed.

**⚠ WARNING: Filter Disposal**

Gasoline fuel is highly explosive and fuel leaks can result in fire or explosions. You can be burned and seriously injured if the fuel system is not properly hooked up or there is a fuel leak when you start the engine.

Inspect the entire fuel system. Look for:

- signs of leaks or deterioration
- chafed or spongy fuel hose
- loose connections
- loose or missing fuel hose clamps
- damaged fuel tank
- defective gasoline shut-off valve

### Check Tire Pressure

Check and refill tire pressure before each use.

- 1) Remove air cap on tire.
- 2) Check tire pressure.
- 3) If needed, fill tire to 30 psi (2.07 bar). Do not overinflate.

Replace air cap.

### Perform Engine Maintenance

-As specified in the engine owner's manual.

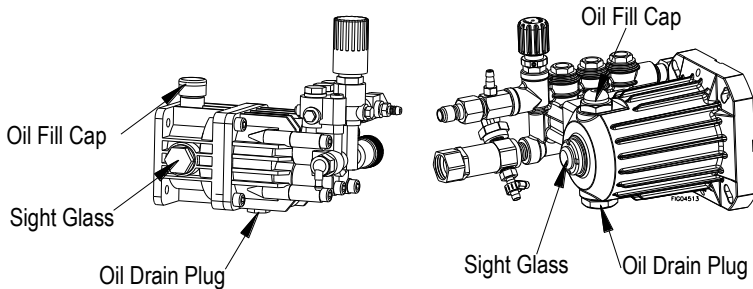
Engine maintenance items include:

1. Changing oil and oil filter
2. Air filter check/replacement
3. Spark plug cleaning and replacement
4. Fuel filter check/replacement
5. Inspecting and cleaning muffler (and spark arrestor if equipped)

## Change Pump Oil

Change the pump oil after the first 50 hours of use, and then after every 3 months or 500 hours of use after that.

1. Remove drain plug from pump.
2. Drain pump oil into suitable container and dispose of responsibly.
3. Reinstall oil drain plug.
4. Make sure unit is sitting level.
5. Reference the "Specifications" section of this manual to determine the oil type and quantity needed for your pump model.
6. Replace oil fill cap.



### NOTICE:

Dispose of used motor and pump oil in a manner that is compatible with the environment and in accordance with local, state, and federal laws and regulations.

- Take used oil in a sealed container to your local recycling center or service station for reclamation.
- Do not throw it in the trash, pour it on the ground, or pour it down a drain.

### NOTE TO COMMERCIAL USERS:

All mechanical equipment, no matter how well designed, will need maintenance and repairs. A Brave pressure washer is no exception. At times, a Brave pressure washer may become inoperable because repairs are required. Brave Product Support will assist in these repairs as needed, but if an inoperable pressure washer creates a major expense to your business, then we strongly recommend the following:

- Have a staff person become familiar with the mechanical operation of the pressure washer and capable of making minor repairs and performing all preventative maintenance procedures.
- Keep a stock of recommended service parts for maintenance and minor repairs.

### IMPORTANT: Replacement Parts

If a part needs replacement, only use parts that meet the manufacturer's part number specifications. Replacement parts that do not meet specifications may result in a safety hazard or poor operation of the pressure washer.

**Contact Brave Product Support at  
1-800-350-8739 for any  
questions, problems, or parts orders.**

## Troubleshooting

This section provides a list of the more frequently encountered pressure washer malfunctions, their causes and corrective actions. Some corrective actions can be performed by the operator or maintenance personnel, and others may require assistance of a qualified Service Center.

<b>ENGINE WILL NOT START</b>	
<b><i>Causes</i></b>	<b><i>Solutions</i></b>
Low Oil Shutdown	Fill engine with the adequate amount of oil
Cold Engine	Choke engine to start
No Fuel	Add gas to fuel tank - Make sure fuel shutoff valve is open
Pressure build-up from initial use	Trigger spray gun to relieve pressure
Engine not turned ON	Place ON/OFF switch in the ON position
Spark plug wire not attached	Attach spark plug wire to spark plug
<b>LOW/SURGING PRESSURE</b>	
<b><i>Causes</i></b>	<b><i>Solutions</i></b>
Insufficient water supply	Increase water flow - Check for kinked or pinched hose
Plugged inlet screen	Pull out and clean screen carefully
Need to use high pressure nozzle	Change to the green, yellow, white, or red nozzle
Plugged nozzle	Remove nozzle, check for blockage
Worn nozzle	Replace nozzle
Leak in high pressure line	Fix leaks
<b>NO CHEMICAL INJECTION</b>	
<b><i>Causes</i></b>	<b><i>Solutions</i></b>
Need to use different nozzle	Change to the black nozzle
Back pressure from extra-long hose	Try shorter high pressure hose
Leak in clear chemical hose	Replace hose. Use hose clamps if necessary
Chemical strainer not submerged	Make sure strainer is completely submerged in solution

# Parts Exploded View – Rev A.1

Item Numbers:  
BRP2530HCA,  
BRP3033HCA,  
BRP3540HCA,  
BR2528HCO,  
BR2530HCO

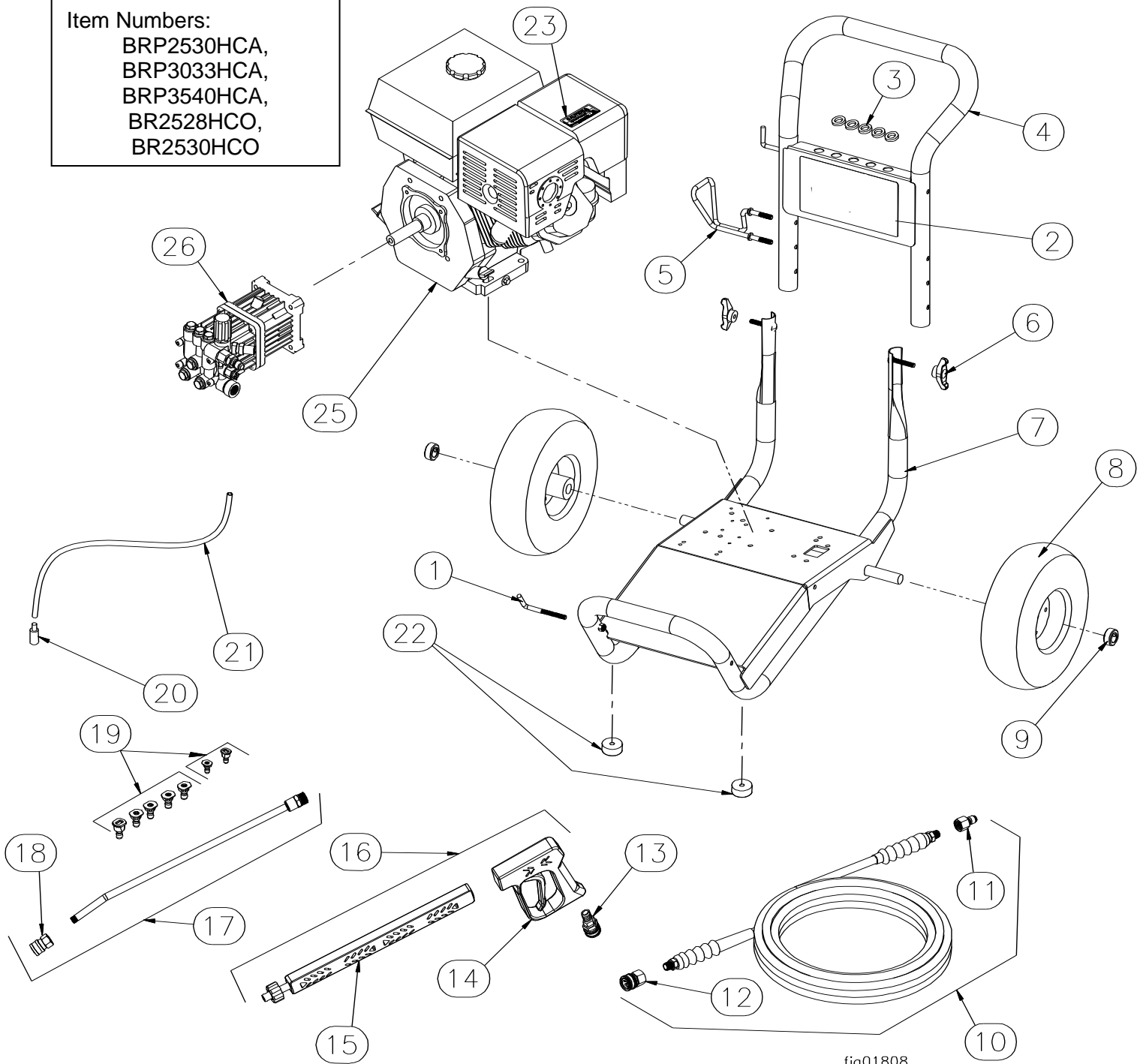


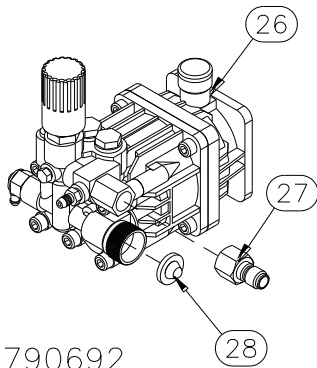
fig01808

\* Depending on model, components may appear differently.

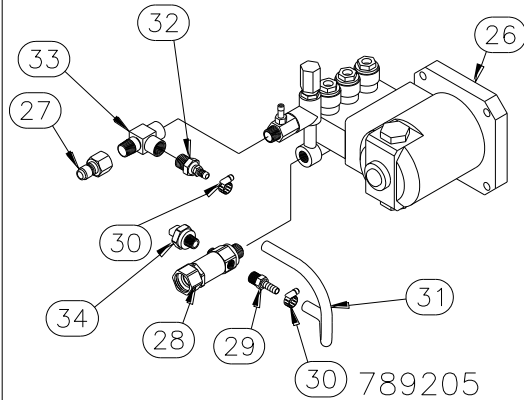
## Parts List – Rev A.1

REF#	PART#	DESCRIPTION	QTY	MODEL
1	38509	Gun Hook	1	All
2	791950	Decal	1	BRP2530HCA
	792153	Decal	1	BRP3033HCA
	792154	Decal	1	BRP3540HCA
	792155	Decal	1	BR2528HCO
	792156	Decal	1	BR2530HCO
3	35198	Grommet	5	All
4	780223GB	Handle	1	All
5	779761	Hose hook	1	All
6	38578	Knob	2	All
7	779924GB	Base	1	All
8	788813	Wheel	2	All
9	305200	Wheel Retainer	2	All
10	38525	50' Pressure Hose	1	BRP2530HCA, BRP3033HCA, BRP3540HCA
	38524	25' Pressure Hose		BR2528HCO, BR2530HCO
11	777915	Hose Quick Couple Nipple	1	All
12	777914	Hose Quick Coupler	1	All
13	780455	Spray Gun Quick Coupler	1	All
14	779168	Spray Gun Handle	1	BRP2530HCA, BRP3033HCA, BRP3540HCA
15	22622	Lance w/ Quick Connect	1	BRP2530HCA, BRP3033HCA, BRP3540HCA
16	779165	Spray Gun	1	BRP2530HCA, BRP3033HCA, BRP3540HCA
	38527			BR2528HCO, BR2530HCO
17	791309	Lance	1	All
18	791308	Nozzle Quick Coupler	1	All
19	38530	Nozzle 2 Pack #3.0	1	BR2528HCO, BR2530HCO
	38531	Nozzle 5 Pack #3.0		BRP2530HCA
	38532	Nozzle 5 Pack #3.5		BRP3033HCA, BRP3540HCA
20	221222	Chemical Strainer	1	All
21	777165	Braided Chemical Hose <small>(sold by foot)</small>	3 ft	All
22	2215	Rubber Foot	2	All
23	781026	Burn Hazard Decal	1	All
25	BRAVEGX160	Honda GX 160 Engine	1	BRP2530HCA
	BRAVEGX270	Honda GX 270 Engine		BRP3033HCA
	BRAVEGX390	Honda GX 390 Engine		BRP3540HCA
	BRAVEGC160LA QH	Honda GC 160 Engine		BR2528HCO
	BRAVEGC190	Honda GC 190 Engine		BR2530HCO
26	790692	Comet AXD 2530G Pump	1	BR2530HCO
	789205	Cat 4DNX Pump		BRP2530HCA
	790712	Cat 4SPX Pump		BRP3033HCA
	38520	Cat 66DX Pump		BRP3540HCA
	779827	Comet VRX Pump		BR2528HCO

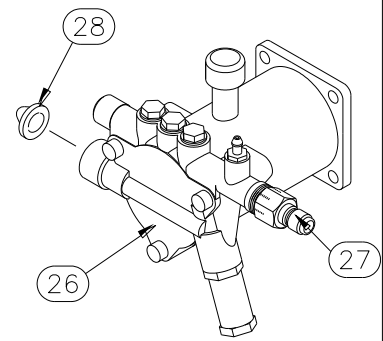
# Pump Assemblies



790692

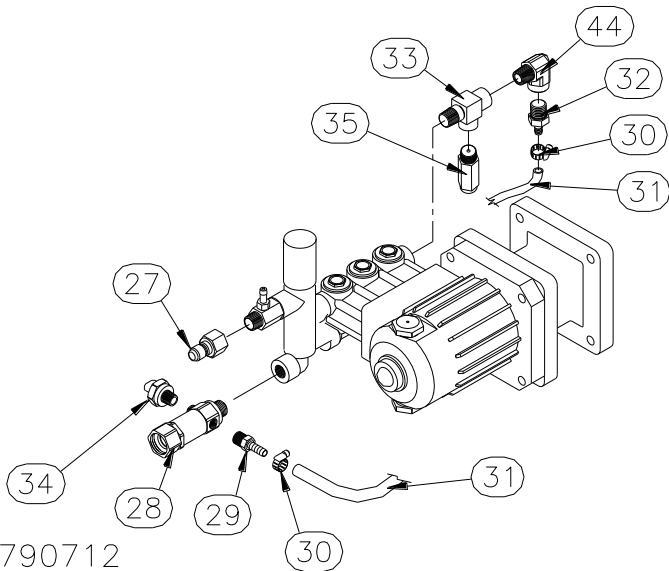


789205

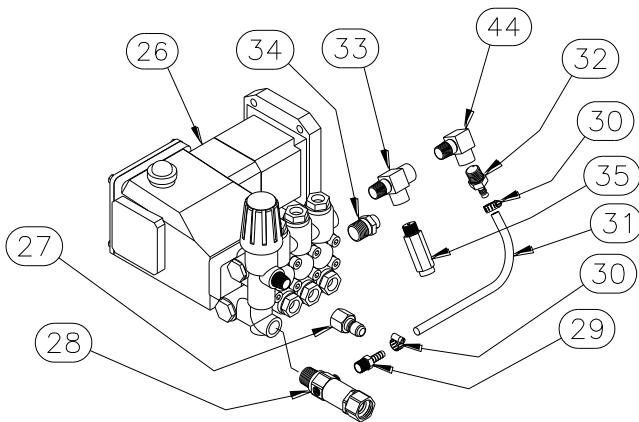


779827

fig4981



790712

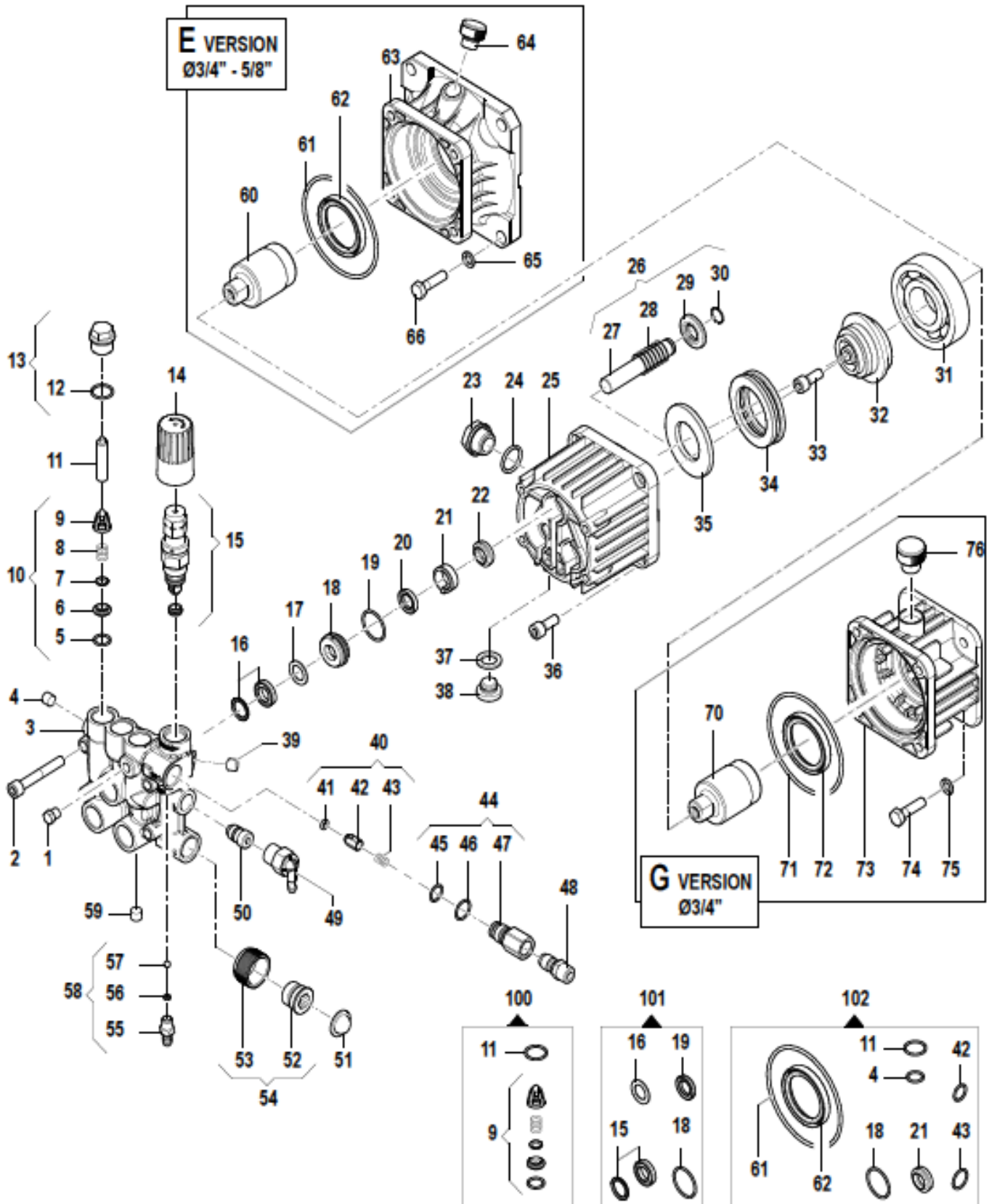


38520

## Pump Assembly Parts

REF#	PART#	DESCRIPTION	QTY	MODEL
26	790692	Comet AXD 2530G Pump	1	BR2530HCO
	789205	Cat 4DNX Pump		BRP2530HCA
	790712	Cat 4SPX Pump		BRP3033HCA
	38520	Cat 66DX Pump		BRP3540HCA
	779827	Comet VRX 2528G Pump		BR2528HCO
27	777915	Quick Connect Outlet Plug	1	All
28	4027	Inlet Filter Washer	1	BR2528HCO
	38596	3/8" Inlet Filter		BRP2530HCA, BRP3033HCA
	35169	1/2" Inlet Filter		BRP3540HCA
29	777340	1/4" x 1/4" Hose Barb Fitting	1	BRP2530HCA, BRP3033HCA, BRP3540HCA
30	777834	1/4" Hose Clamp	2	BRP2530HCA, BRP3033HCA, BRP3540HCA
31	777165	1/4" PVC Hose (sold by foot)	1 ft	BRP2530HCA, BRP3033HCA, BRP3540HCA
32	38584	Easy Start Valve	1	BRP2530HCA, BRP3033HCA, BRP3540HCA
33	777347	3/8" Street Tee	1	BRP2530HCA, BRP3033HCA, BRP3540HCA
34	35918	Thermal Valve	1	BRP2530HCA, BRP3033HCA,
	777836			BRP3540HCA
35	22393	Pop Off Valve	1	BRP3033HCA
	777376			BRP3540HCA
44	777410	3/8 Street elbow	1	BRP3033HCA BRP3540HCA

# Pump Exploded View – Comet AXD

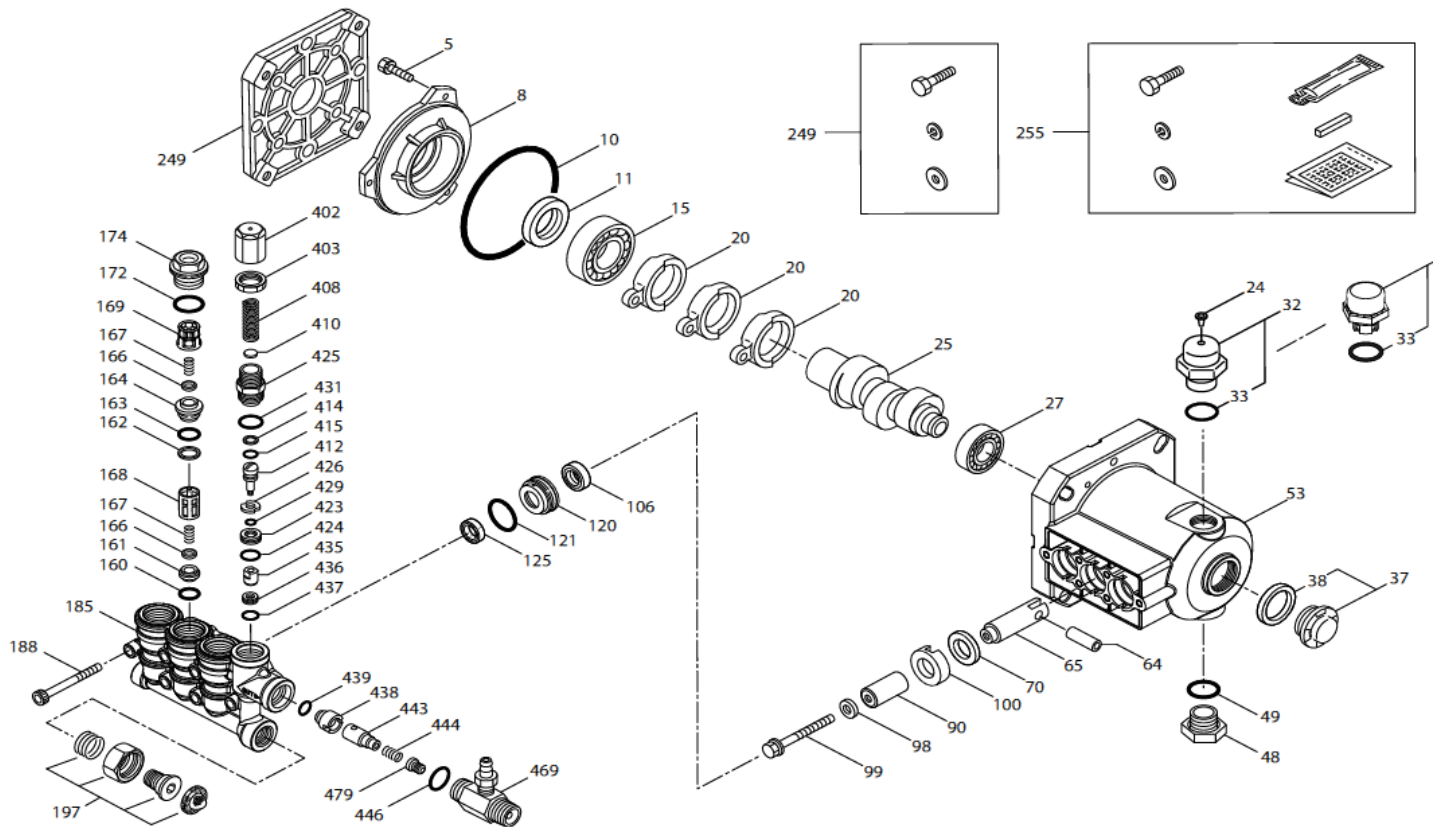




Ref #	Part #	Description	Qty
1	CO3202001800	CAP	1
2	CO3609001400	SCREW, M8 X 55	4
3	NOT AVAILABLE	MANIFOLD	1
4	CO3202001800	CAP	1
5	CO1210004900	O-RING,OIL PLUG - WOBBLE PUMP	6
6	SEE PART # 10	VALVE SEAT	6
7	CO3604002800	SUCTION/DEL. VALVE	6
8	CO1802019200	SPRING, AXD	6
9	CO1205003300	VALVE CAGE, AXD	6
10	CO1220004500	VALVE - AXD PUMP	6
11	CO0601027300	AXD SPACER	2
12	CO1210015100	O-RING, AXD3020	6
13	CO3202031100	VALVE CAP & O-RING	6
14	CO1817006400	HANDLE	1
15	CO1215058500	REG.VALVE KIT & SEAT	1
16	CO1241005900	PACKING - GXD1617	3
17	CO0009036900	RING	3
18	CO0009021900	RING(RETAINER) - WOBBLE PUMP	3
19	CO1210035600	O-RING,SEAL CONTAINER - WOBBLE	3
20	CO1241005700	BACK PACKING	3
21	CO0601030800	OIL SEAL SPACER	3
22	CO0019005800	SEALING RING(OIL) - WOBBLE PLA	3
23	CO3201002700	OIL SIGHT GLASS	1
24	CO1210004800	O-RING, 2.62 X 20.24MM	1
25	NOT AVAILABLE	PUMP CRANKCASE	1
26	CO2409015600	PISTON KIT	3
27	CO1802015300	SPRING, AXD	3
28	CO2409008900	PISTON - AXD3020G	3
29	CO0009022100	RING FOR AXD	3
30	CO0009022000	14MM RING FOR AXD	3
31	CO0438007600	BALL BEARING - AXD	1
32	CO0001041700	ECCENTRIC SHAFT - AXD	1
33	CO3609000500	SCREW, M8 X 20 - AXD	1
34	CO0436001700	BEARING	1
35	CO2816008800	THRUST BEARING	1
36	CO3609002800	SCREW M8 X 22	4
37	CO1209011700	GASKET -2527	1
38	CO3200009600	PLUG 1/4"	1

Ref #	Part #	Description	Qty
39	CO3200001700	PORT PLUG, AXD COMET PUMP	1
40	CO2409009100	PISTON CHECK VALVE KIT,AXD UNL	1
41	CO1210046000	O-RING	1
42	CO2409008600	CHECK VALVE	1
43	CO1802019700	SPRING	1
44	CO3410034800	INJECTOR BODY KIT	1
45	CO1210004900	O-RING,OIL PLUG - WOBBLE PUMP	1
46	CO1210004000	O-RING, AXD	1
47	CO3410032900	INJECTOR BODY	1
48	CO2803043700	OUTLET FITTING, QUICK CONN.-WO	1
49	CO1215035400	THERMOVALVE	1
50	CO0608003000	KIT EASY START	1
51	CO8102045000	FILTER WASHER	1
52	CO1223010800	GARDEN HOSE NUT	1
53	SEE PART # 54	SPECIAL COUPLING - NLA	1
54	CO2800051100	GARDEN HOSE TAIL W/WING NUT	1
55	SEE PART # 58	CHEM. COUPLING	1
56	CO3003002400	BALL FOR CHEMICAL INJECTOR	1
57	CO1802018000	SPRING FOR CHEMICAL INJECTOR	1
58	CO2803043500	CHEMICAL INJECTOR KIT	1
59	CO3200001700	PORT PLUG, AXD COMET PUMP	1
70	CO0001039500	DRIVESHAFT	1
71	CO1210042900	O-RING FOR AXD	1
72	CO0019003400	SEALING RING - AXD PUMP	1
73	NOT AVAILABLE	SUPPORT	1
74	CO3607016800	HEXAGONAL SCREW	4
75	CO2811000200	WASHER	4
76	CO3200007100	OIL PLUG	1
100	CO5025001400	VALVE KIT - AXD3020G	1
101	CO5019007700	SEAL KIT - AXD3020G	1
102	CO5019007900	SEAL KIT, AXD	1

# Pump Exploded View – Cat 4DNX



Ref#	P/N	DESCRIPTION	QTY
5	Not Available	Screw	3
8	CA547153	Bearing Cover	1
10	CA14041	O-Ring, Bearing Cover	1
11	CA55337	Oil Seal	1
15	CA14488	Inner Ball Bearing	1
20	CA547048	Connecting Rod	3
24	Not Available	Oil Plug Cap	1
25	CA549446	Crankshaft	1
27	CA56084	Ball Bearing	1
32	CA547961	Cap	1
33	CA14179	O-ring for Oil Filter Cap	1
37	CA92241	Gauge, Bubble Oil w/Gasket	1
38	CA44428	Gasket, Flat Flex Oil Gauge	1
48	CA44842	Drain Plug	1
49	CA14179	O-Ring for Drain Plug	1
53	Not Available	Crankcase	1
64	CA46229	Crosshead Pin	3
65	CA542402	Plunger Rod	3
70	CA47215	Oil Seal	3
90	CA547091	Plunger	3
98	CA46730	Washer	3
99	CA542405	Retainer, Plunger	3
100	CA46233	Retainer, Seal	3

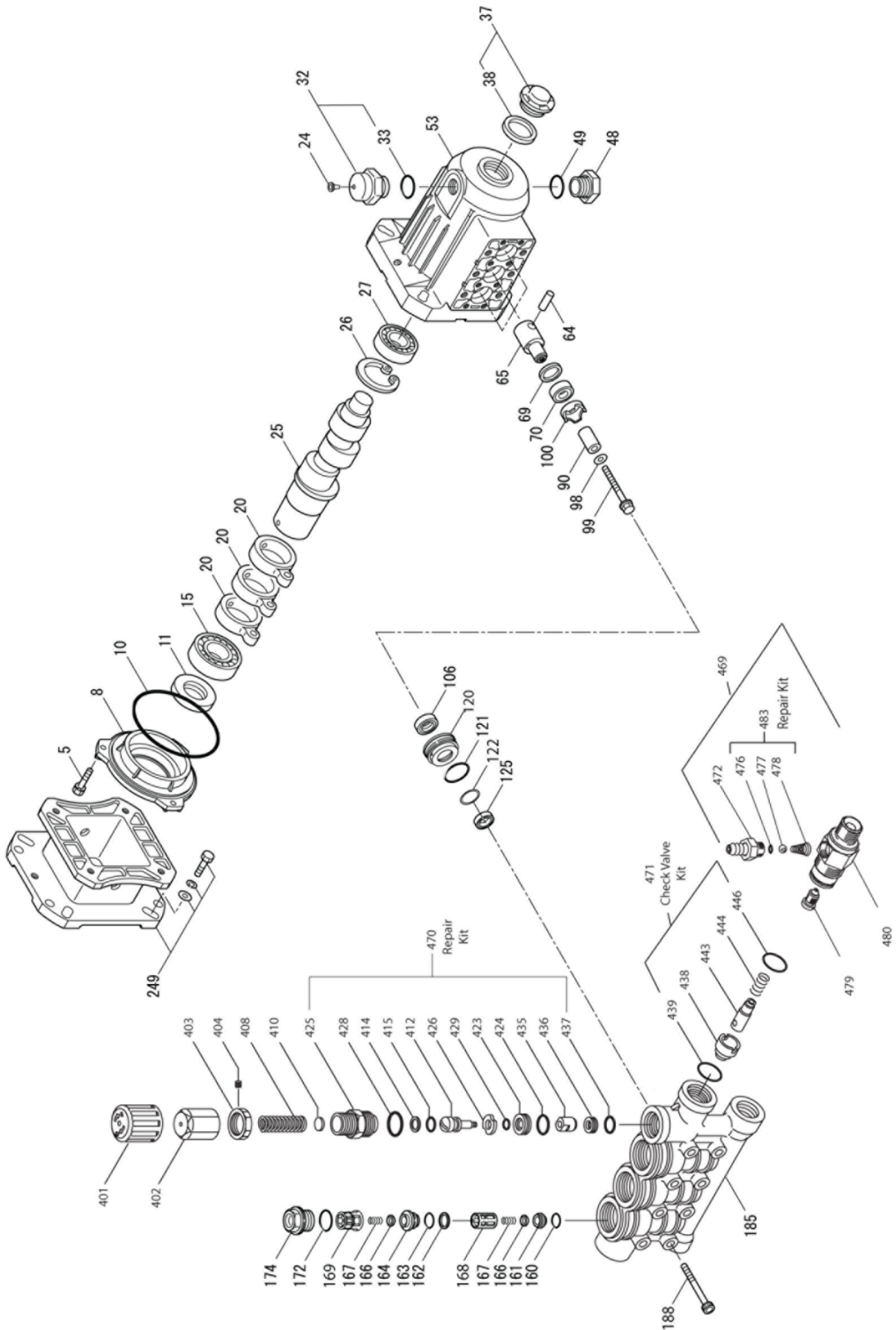
Ref#	P/N	DESCRIPTION	QTY
106	Kit #1	Seal	3
120	Not Available	Seal Case	3
121	CA13976	O-Ring for Seal Case	3
125	Kit #1	Seal	3
160	CA17428	O-Ring, Inlet	3
161	CA547077	Seat, Inlet	3
162	CA48361	Back-up Ring	3
163	CA43358	O-Ring	3
164	CA547076	Seat, Discharge	3
166	CA547098	Valve	6
167	CA46865	Spring	6
168	CA543988	Retainer, Spring, Inlet	3
169	Kit #2	Retainer, Spring, Discharge	3
172	CA142807	O-Ring for Plug	3
174	CA547104	Plug, Valve w/o-ring	3
185	Not Available	Head, Manifold w/Unloader Body	1
188	Not Available	Screw	6
197	CA941516	Inlet Fitting Assembly	1
249	CA30520	Adapter Mount Assembly	1
255	CA30516	Bolt Mount Assembly	1
469	CA7332	Chemical Fixed Injector	1

## KITS

Kit#1	CA76975	Seal Kit: Incls: 98, 106, 121, 125	1
Kit#2	CA76976	Valve Kit: Incls: 160, 161, 162, 163, 164, 166, 167, 168, 169, 172	1

\*One Kit will Complete One Pump\*

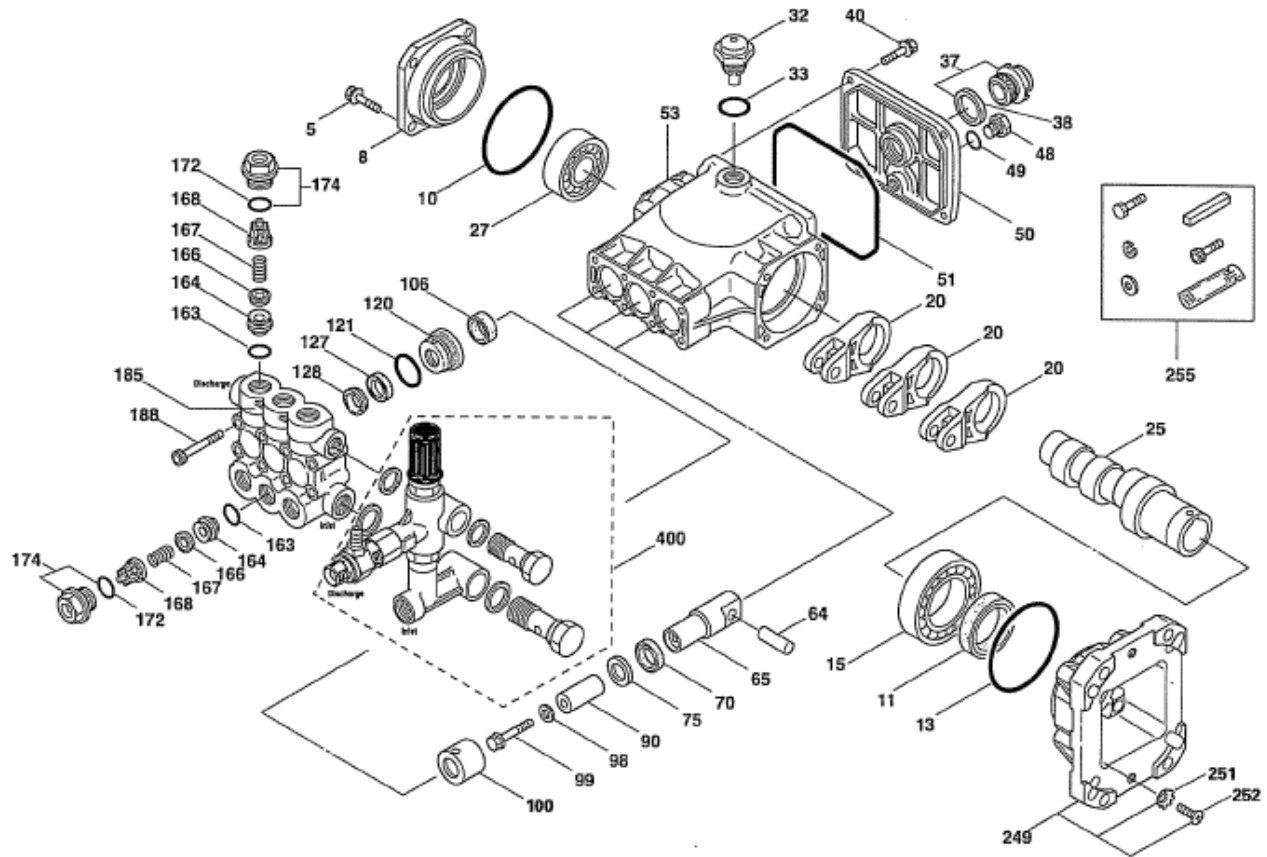
# Pump Exploded View – Cat 4SPX



Ref#	P/N	DESCRIPTION	QTY
5	<i>Not Available</i>	Screw	3
8	CA547084	Bearing Cover	1
10	CA14041	O-Ring, Bearing Cover	1
11	CA125351	Oil Seal	1
15	<i>Not Available</i>	Inner Ball Bearing	1
20	CA547020	Connecting Rod	3
24	<i>Not Available</i>	Oil Plug Cap	1
25	<i>Not Available</i>	Crankshaft	1
26	<i>Not Available</i>	Ring, Retaining	1
27	CA15710	Ball Bearing	1
32	CA547961	Cap	1
33	CA14179	O-ring, 70D (for Oil Filter Cap)	1
37	CA92241	Gauge, Bubble Oil w/Gasket	1
38	CA44428	Gasket, Flat Flex Oil Gauge	1
48	CA44842	Drain Plug	1
49	CA14179	O-Ring, 70D (for Drain Plug)	1
53	<i>Not Available</i>	Crankcase	1
64	CA16948	Crosshead Pin	3
65	CA548872	Plunger Rod	3
69	CA126259		
70	CA25301	Oil Seal	3
90	CA547091	Plunger	3
98	CA46730	Washer	3
99	CA542405	Retainer, Plunger	3
100	CA44869	Retainer, Seal	3
106	CA45188	Seal	3
120	CA49942	Seal Case	3
121	CA13977	O-Ring for Seal Case	3
122	CA49943	Ring, Support	3
125	CA49824	Seal	3
160	CA17428	O-Ring, Inlet	3
161	CA547077	Seat, Inlet	3
162	CA48361	Back-up Ring	3
163	CA43358	O-Ring	3
164	CA547076	Seat, Discharge	3
166	CA547098	Valve	6
167	CA46865	Spring	6
168	CA543988	Retainer, Spring, Inlet	3
169	CA49764	Retainer, Spring, Discharge	3
172	CA142807	O-Ring for Plug	3
174	CA547104	Plug, Valve w/o-ring	3
185	<i>Not Available</i>	Head, Manifold w/Unloader Body	1

Ref#	P/N	DESCRIPTION	QTY
188	<i>Not Available</i>	Screw	6
249	CA31643	Adapter Mount Assembly	1
401	CA547797	Handle, Adjusting	1
402	CA547798	Adjusting Cap	1
403	CA548671	Lock Nut	1
404	CA548675	Screw, Set	1
408	CA32094	Pressure Spring	1
410	CA549352	Spring Retainer	1
412	CA45694	Piston Stem	1
414	CA20184	Back Up Ring	1
415	CA14190	O-Ring, Piston Stem	1
423	CA46249	Retainer Valve	1
424	CA13966	O-Ring, Valve Retainer (Outer)	1
425	CA547799	Piston Retainer	1
426	CA46250	Washer	1
428	CA26133	O-Ring, 80D (for Piston Retainer)	1
429	CA17399	O-Ring, Valve Retainer (Inner)	1
435	CA547800	Valve	1
436	CA49664	Seat	1
437	CA13963	O-Ring, 70D (for Seat)	1
438	CA46254	Seat, Check Valve	1
439	CA13963	O-Ring, 70D (for Check Valve Seat)	1
443	CA547826	Valve, Check	1
444	CA45924	Spring	1
446	CA26133	O-Ring, 70D (for Body)	1
469	CA7332	Chemical Fixed Injector	1
470	CA76179	Unloader Repair Kit Incls: 412, 414, 415, 423, 424, 425, 426, 429, 431, 435, 436, 437	1
471	CA76146	Check Valve Kit Incls: 438, 439, 443, 444, 446	1
472	<i>Not Available</i>	Barb	1
476	See # 483	O-ring, Barb	1
477	See # 483	Ball	1
478	See # 483	Spring	1
479	<i>Not Available</i>	Orifice	1
480	<i>Not Available</i>	Body	1
483	CA76176	Kit, Repair Incls: 476, 477, 478	1
Kit #1	CA76977	Seal Kit Incls: 98, 106, 121, 125	1
Kit #2	CA76976	Valve Kit Incls: 160, 161, 162, 163, 164, 166, 167, 168, 169, 172	1
Kit #3	CA31767	O-Ring Kit Incls: 414, 415, 424, 429, 437, 439, 446)	1

# Pump Exploded View – Cat 66DX



## PARTS LIST

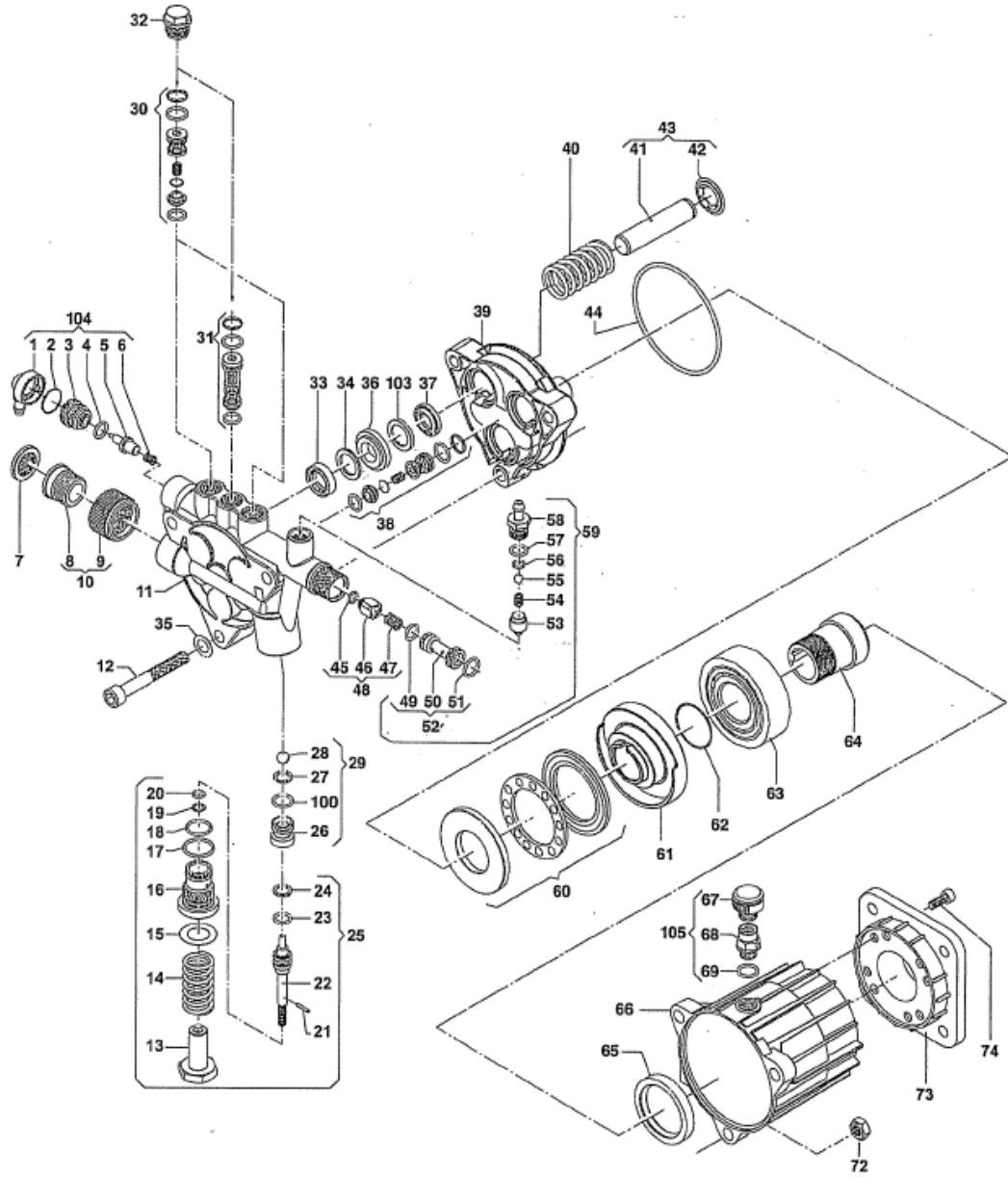
ITEM	P/N	MATL	DESCRIPTION	QTY	ITEM	P/N	MATL	DESCRIPTION	QTY
5	92519	STZP	Screw, HHC (M6x16)	4	106	45188	NBR	Seal, LPS w/S-Spg	3
	125824	STCP R	Screw, HHC (M6x16)	4	120	48759	BB	Case, Seal	3
8	48259	AL	Cover, Bearing	1	121	13980	NBR	O-Ring, Seal Case - 70D	3
10	14028	NBR	O-Ring, Bearing Cover - 70D	1	127	48758	SNG	V-Packing	3
11	125351	NBR	Seal, Oil, Crankshaft - 70D	1		49201	STG	V-Packing	3
13	14037	NBR	O-Ring, Bearing Cover - 70D	1	128	48757	NY	Adapter, Male	3
15	146421	STL	Bearing, Ball - Inner	1	163	17547	NBR	O-Ring, Seat - 85D	6
20	48843	TNM	Rod, Connecting	3	164	45790	S	Seat	6
25	48970	CM	Crankshaft (8.6 mm) 30G11	1	166	46429	S	Valve	6
	48977	CM	Crankshaft (10.0 mm) 35G11	1	167	43750	S	Spring	6
	48839	CM	Crankshaft (11.4 mm) 40G11	1	168	46583	NY	Retainer, Spring	6
27	14480	STL	Bearing, Ball - Outer	1	172	17616	NBR	O-Ring, Valve Plug - 80D	6
32	46798	—	Cap, Domed, Oil Filler	1	174	48760	BB	Plug, Valve w/O-Ring	6
33	14179	NBR	O-Ring, Filler Cap - 70D	1	185	48846	BB	Head, Manifold	1
37	92241	—	Gauge, Oil Bubble w/Gasket	1	188	87870	STZP	Screw, HSH (M8x65)	8
38	44428	NBR	Gasket, Flat, Oil Gauge - 80D	1		126512	STCP R	Screw, HSH (M8x65)	8
40	92519	STZP	Screw, HHC (M6x16)	4	249	48841	AL	Flange Mount	1
	125824	STCP R	Screw, HHC (M6x16)	4	251	46123	STZP	Lockwasher, Conical (M8)	4
48	25625	STCP	Plug, Drain (1/4"x19BSP)	1		126746	STCP R	Lockwasher, Conical (M8)	4
49	23170	NBR	O-Ring, Drain Plug - 70D	1	252	46403	STZP	Screw, FH (M8x25)	4
50	48862	AL	Cover, Rear	1	255	30510	STZP	Assy, Bolt Mount	1
51	14048	NBR	O-Ring, Rear Cover - 70D	1		34100	STZP	Screw (3/8-16x1-3/8")	4
53	48830	AL	Crankcase	1		30921	STZP	Lockwasher (3/8")	4
64	46404	CM	Pin, Crosshead	3		30980	STZP	Washer, Flat (3/8")	4
65	48845	BB	Rod, Plunger	3		6106	—	Antiseize Lubricant	1
70	48911	NBR	Seal, Oil, Crankcase	3		45217	STL	Key (1/4"x1/4"x2-1/2") HD	1
75	48754	NBR	Slinger, Barrier - 70D	3		87788	STZP	Screw, Set (M5x8)	1
90	48752	CC	Plunger (M14x47)	3		126761	STCP R	Screw, Set (M5x8)	1
98	46730	NBR	Washer Seal, Plunger Retainer - 90D	3	300	34262	NBR	Kit, Seal (Incls: 98,106,121,127,128)	1
99	†48201	SSL	Retainer, Plunger	3	310	34260	NBR	Kit, Valve (Incls: 163,164,166,167,168,172)	2
100	48755	NY	Retainer, Seal	3	400	7800	BB	Unloader Assembly w/Fixed Injector	1

*Italics are optional items.* R Components comply with RoHS Directive. † Production parts are different than replacement parts.

See Tech Bulletins 024, 060, 074 and 083 for additional information.

MATERIAL CODES (Not Part of Part Number): AL=Aluminum BB=Brass CC=Ceramic CM=Chrome-moly NBR=Medium Nitrile (Buna-N) NY=Nylon S=304SS SNG=Special Blend (Buna) SSL=316SS/Low Carbon STCP=Steel/Chrome Plated STL=Steel STZP=Steel/Zinc Plated TNM=Special High Strength

# Pump Exploded View – Comet VRX



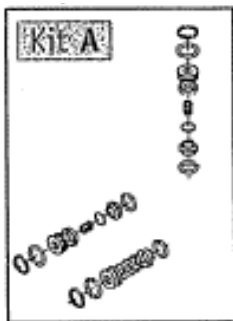
Ref #	Code	Description	Qty
1	2801 0079	Thermo Valve Cover	1
2	1210 0218	O-Ring	1
3	0424 0402	Thermal Valve Body	1
4	1210 0475	O-Ring	1
5	3230 0031	Sensor	1
6	1802 0217	Spring	1
7	1002 0116	Suction Filter	1
8	2803 0395	Quick Coupler	1
9	1223 0093	Wing Nut	1
10	2800 0096	Straight Hose Tail Kit	3
11	3218 0351	Pump Manifold	1

Ref #	Code	Description	Qty
39	2432 0018	Pump Crankcase	1
40	1802 0213	Piston Spring	3
41	2409 0099	Piston	3
42	0009 0267	Ring	3
43	5026 0260	Piston Kit	3
44	1210 0391	O-Ring	1
45	1210 0463	O-Ring	1
46	2409 0102	Check Valve	1
47	1802 0218	Spring	1
48	5026 0262	Check Valve Kit	1
49	1210 0465	O-Ring	1

12	3609 0195	Screw	3
13	3202 0276	Plug	1
14	1802 0219	Regulation Valve Spring	1
15	2811 0117	Washer	1
16	3605 0104	Special Screw	1
17	1210 0392	O-Ring	1
18	1210 0470	O-Ring	1
19	0009 0272	Ring	1
20	1210 0055	O-Ring	1
21	3021 0034	Elastic Pin	1
22	0015 0187	Valve Rod	1
23	1210 0465	O-Ring	1
24	0009 0112	Backup Ring	1
25	1215 0334	Regulation Valve Kit	1
26	3009 0136	Regulation Valve Seal	1
27	1210 0170	O-Ring	1
28	3003 0032	Ball	1
29	5026 0269	Regulation Valve Seat Kit	1
30	1220 0061	Delivery Valve	2
31	1220 0062	Delivery Valve	1
32	3302 0279	Plug	3
33	1241 0068	Packing	3
34	0009 0274	Anti-Extr. Ring	3
35	2811 0004	Washer	3
36	0009 0270	Packing Retainer	3
37	0019 0111	Oil Seal	3
38	1220 0061	Suction Valve	3

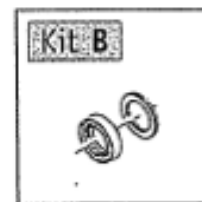
50	0801 0066	Detergent Injector	1
51	1210 0170	O-Ring	1
52	1410 0322	Detergent Injector Kit	1
53	0204 0051	Bushing	1
54	1802 0216	Spring	1
55	3003 0033	Ball	1
56	1210 0466	O-Ring	1
57	1210 0465	O-Ring	1
58	2800 0104	Detergent Straight Hose Tail	1
59	5026 0261	Complete Detergent Kit	1
60	0436 0020	Axial Ball Bearing	1
61	0001 0460	Thru-Eccentric Shaft	1
62	1210 0394	O-Ring	1
63	0438 0081	Ball Bearing	1
64	0031 0012	Pump Crankshaft	1
65	0019 0112	Oil Seal	1
66	0403 0156	Pump Crankcase	1
67	3200 0071	Plug	1
68	2417 0064	Extension	1
69	1210 0492	O-Ring	1
72	0604 0015	Nut	3
73	3016 0042	Support	1
74	3625 0062	Screw	4
100	0009 0225	Anti-Extr. Ring	1
103	3000 0781	Oil Seal Spacer	3
104	5026 0276	Thermo Valve Kit	1
105	3200 0093	Oil Tap Kit	1

**Complete Valve Kit (50260270)**



Part #	Code	Qty
30	1220 0061	2
31	1220 0062	1
38	1220 0061	3

**Piston Seal Kit (502602556)**



Part #	Code	Qty
33	1241 0068	3
34	0009 0274	3

# Limited Warranty

**Dear Valued Customer:**

The Brave product you just purchased is built with the finest material and craftsmanship. Use this product properly and enjoy the benefits from its high performance. By purchasing a Brave product, you show a desire for quality and durability. Like all mechanical equipment this unit requires a due amount of care. Treat this unit like the high quality piece of machinery it is. Neglect and improper handling may impair its performance.

Thoroughly read the instructions and understand the operation before using your product. Always contact Brave Product Support at 1-800-350-8739 prior to having any service or warranty work performed, as some services performed by parties other than Brave approved service centers may void this warranty. This limited warranty is in lieu of any other warranty expressed or implied, written or oral and Brave assumes no other responsibility or liability outside that expressed within this limited warranty.

## Limited Warranty for Brave and Brave Pro Pressure Washer Models:

BR1517ECO  
BR2528HCO  
BR2530HCO

BRP2530HCA  
BRP3033HCA  
BRP3540HCA

BRP1520ECA  
BRP4030HCA

	Consumer Warranty Period	Commercial Warranty Period
<b>Weldments</b>		
	2 years from date of purchase by user	2 year from date of purchase by user
<b>Electric Motor, Burner, Pumps</b>		
	2 years from date of purchase by user	1 year from date of purchase by user
<b>Wear Parts</b>		
	In addition to the normal warranty, Brave shall warrant some normal wear items from defects in material or workmanship for a period of 30 days from the date of purchase by user. Normal wear items covered under this warranty are limited to: filters, gaskets, o-rings, oil seals, springs, nozzles, lance, bushings, grease zerks, switches, hoses, tires. Routine maintenance items such as lubricants, clutch adjustments, tune ups are not covered under warranty.	
<b>Engines</b>		
	The engine warranty is covered under the terms and conditions as outlined by the engine manufactures warranty contained herein and is the sole responsibility of the engine manufacturer. Normal engine maintenance such as spark plugs, oil changes, air filters, adjustments, fuel system cleaning and obstruction due to build up is not covered by this Brave limited warranty.	

“Consumer use” means personal residential household use by a consumer. “Commercial use” means all other uses, including, but not limited to, use for commercial, income producing or rental purposes or when purchased by a business.

This limited warranty applies to the original purchaser of the equipment (verification of purchase, in the form of a receipt, is the responsibility of the buyer), is non-transferable, and covers parts and labor. Parts will be replaced or repaired at no charge, except when the equipment has failed due to lack of proper maintenance. If a part is no longer available, the part may be replaced with a similar part of equal function. Any misuse, abuse, alteration or improper installation or operations will void warranty. Determining whether a part is to be replaced or repaired is the sole decision of Brave. Brave will not provide for replacement of complete products due to defective parts. Any costs incurred due to replacement or repair of items outside of a Brave approved facility is the responsibility of the buyer and not covered under warranty. Transportation costs to and from service center and/or service calls are the responsibility of the customer.

This limited warranty specifically excludes the following; failure of parts due to damage caused by accident, fire, flood, windstorm, acts of God, applications not approved by Brave in writing, corrosion caused by chemicals, use of replacement parts which do not conform to manufacturer’s specifications, damage related to rodent and/or insect infestation and damage caused by vandalism. Additional exclusions: loss of running time, inconvenience, loss of income, or loss of use, including any implied warranty of merchantability of fitness for a specific use. Also, power equipment needs periodic parts and service to perform well, and this limited warranty does not cover instances when normal use has exhausted the life of a component or the engine.

This limited warranty does not cover any personal injury or damage to surrounding property caused by failure of any part, misuse or inability to use the product. Alteration of the product, including safety features, shall void this limited warranty.

Repair or replacement of parts does not extend the warranty period. This limited warranty gives you specific legal rights. You may also have other rights that vary by state.

Please have model number, item number and serial number on hand prior to making a warranty claim or inquiry.





# Brave Product Registration Form

## Your Information

Full Name:

\_\_\_\_\_

<b>Last</b>	<b>First</b>	<b>M.I.</b>
-------------	--------------	-------------

Address:

\_\_\_\_\_

<b>Street Address</b>	<b>Apartment/Unit #</b>
-----------------------	-------------------------

\_\_\_\_\_

<b>City</b>	<b>State</b>	<b>ZIP Code</b>
-------------	--------------	-----------------

Home Phone: \_\_\_\_\_ Alternate Phone: \_\_\_\_\_

Email \_\_\_\_\_

## Purchased From

Company: \_\_\_\_\_

Address: \_\_\_\_\_

<b>Street Address</b>	<b>Apartment/Unit #</b>
-----------------------	-------------------------

\_\_\_\_\_

<b>City</b>	<b>State</b>	<b>ZIP Code</b>
-------------	--------------	-----------------

## Model Information

Purchase Date \_\_\_\_\_

Application Type     **Homeowner**     **Commercial**     **Rental**

\_\_\_\_\_

<b>Model</b> ( <i>i.e. BR2530HCA</i> )	<b>Serial #</b>
--	-----------------

Signature \_\_\_\_\_

*Register your product online at [www.braveproducts.com](http://www.braveproducts.com)*



BRAVE  
20195 S. Diamond Lake Rd., STE 100  
Rogers, MN 55374