

2023/02/22

i08803142 - Operator Controls

M0116093-14

Machine Equipped with Canopy

Note: Your machine may not be equipped with all the controls that are described in this topic.

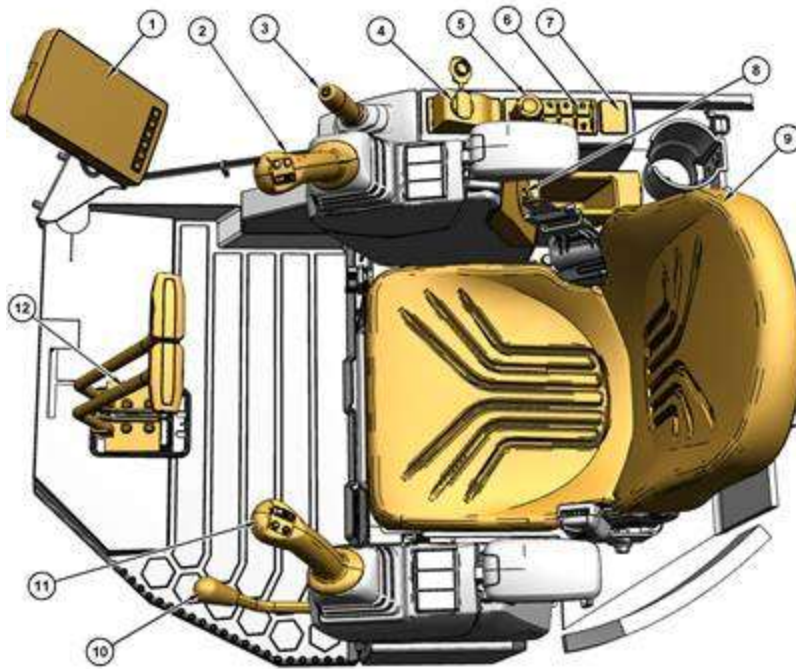


Illustration 322

g06789736

- (1) Monitor
- (2) Right side joystick controls
- (3) Dozer blade lever
- (4) Power outlet (12V)
- (5) Engine speed dial
- (6) Right side switch panel
- (7) Universal Serial Bus (USB) port
- (8) Engine start switch
- (9) Operator seat
- (10) Hydraulic lockout control
- (11) Left side joystick controls
- (12) Travel control lever

Monitor (1)

Monitor - Monitor (1) is used to display various operating information of the machine. For more information on the operation of monitor (1) , refer to .

Right Side Joystick Controls (2)

Right Side Joystick - Right side joystick controls (2) are used to control the functions of the machine implements. For more information on the individual functions of the joysticks, refer to .

Dozer Blade Lever (3)



Float - Push dozer blade lever (3) fully forward. Dozer blade lever (3) will lower to the ground. Dozer blade lever (3) will float with the contour of the ground. Dozer blade lever (3) will return to the HOLD position.



Lower - Push dozer blade lever (3) forward to lower dozer blade lever (3) . Dozer blade lever (3) will return to the HOLD position when the operator release dozer blade lever (3) . Dozer blade lever (3) will remain in the selected position.

Hold - Dozer blade lever (3) will return to the HOLD position when dozer blade lever (3) is released from the RAISED position or LOWERED position.



Raise - Pull dozer blade lever (3) backward to raise dozer blade lever (3) . Dozer blade lever (3) will return to the HOLD position when the operator releases dozer blade lever (3) . Dozer blade lever (3) will remain in the selected position.

Power Outlet (12V) (4)



12V Power Outlet - Power outlet (4) can be used to power automotive electrical equipment or accessories. Power outlet (4) only operates when engine start switch (8) is in the ON position.

Engine Speed Dial (5)

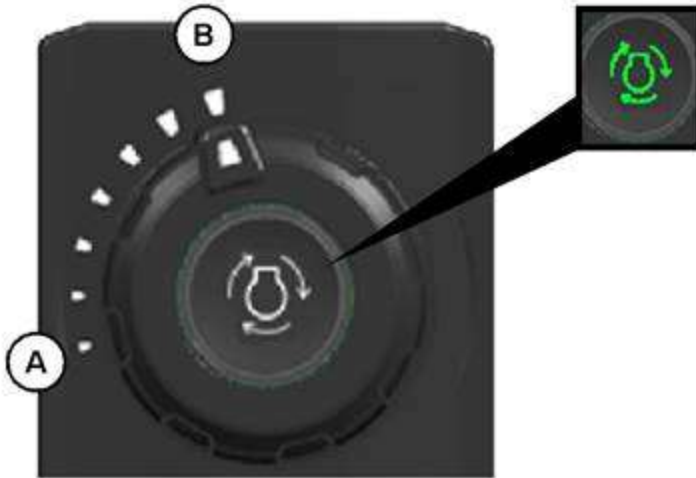


Illustration 323

g06345901

- (A) Low engine idle
- (B) High engine idle

Turn engine speed dial (5) to control the engine speed (engine rpm). Select desired position from the seven positions that are available. Turn engine speed dial (5) counterclockwise to decrease the engine speed (engine rpm). Turn engine speed dial (5) clockwise to increase the engine speed (engine rpm).

Low Engine Idle (A) - The engine operates in the low rpm range.

High Engine Idle (B) - The engine operates in the high rpm range.

Pressing the center of engine speed dial (5) can change the engine operation mode from power-on-demand mode to standard mode (if equipped). A green illuminator on the center of the throttle dial indicates if the power-on-demand mode is active.

In addition to the green illuminator on the dial, a smart mode indicator, which is the indicator for power-on-demand, will illuminate on the monitor. Refer to for more information. When the machine is in standard mode, the power-on-demand mode indicator will not be illuminated on the monitor.

Right Switch Panel (6)

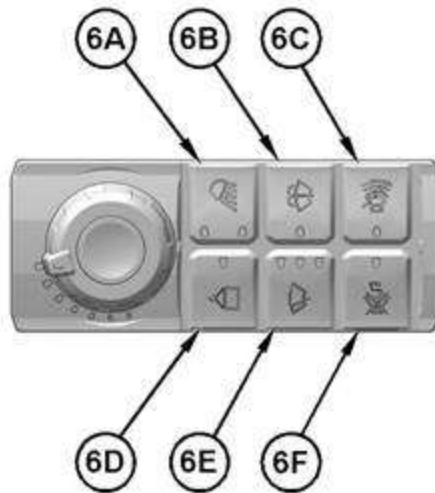


Illustration 324

g06790010

Right side switch panel (6)

- (6A) Work light button
- (6B) Window washer control button
- (6C) Travel alarm cancel control button
- (6D) Overload warning or shovel crane ON / OFF control button
- (6E) Window wiper control button
- (6F) Radio mute button

Work Light Control Button (6A)



Lights - Pressing work lights control button (6A) once turns on all work lights. Pressing the work light button again turns off all work lights.

Window Washer Control Button (6B)

Notice

If the wiper does not operate with the switch in the ON position, turn the switch off immediately. Check the cause. If the switch remains on, motor failure can result.

Notice

If the washer is used continuously for more than 20 seconds or used when no washer solution comes out, motor failure can result.



Window Washer - Push window washer control button (6B) to activate the window washer. The Light Emission Diode (LED) will illuminate while window washer control button (6B) is pressed. Two wiper cycles will be completed after releasing window washer control button (6B) .

Travel Alarm Cancel Control Button (6C)



Travel Alarm Cancel - LED will illuminate while travel alarm is canceled. Travel alarm cancel control button (6C) must be pressed every time travel command is initiated to mute the travel alarm.

Note: The travel alarm will sound when the travel levers or the travel pedals are activated.

Overload Warning or Shovel Crane ON and OFF Control Button (6D)



Overload Warning or Shovel Crane ON and OFF - If equipped with Overload Warning control button (6D) , this feature functions as the ON / OFF button for that feature. When ON, the overload warning system activates if the boom pressure exceeds a threshold. If equipped with Shovel Crane, this feature functions as the ON / OFF button for that feature. When ON, the machine will display the actual load and load limit. If the actual load approaches or exceeds the limit, a warning is activated.

ON - When the LED is lit, the overload warning or shovel crane feature is ON.

OFF - When the LED is not lit, the overload warning or shovel crane feature is OFF.

Refer to for more information.

Window Wiper Control Button (6E)



Window Wiper - Pressing window wiper control button (6E) once turns the wiper ON with a 6 second delay. Pressing window wiper control button (6E) again changes the delay to 3 seconds. Pressing window wiper control button (6E) turns on the wiper continuously. Pressing window wiper control button (6E) again turns OFF the wiper. If the front window is open, the wipers will not turn ON. If the window is opened while the wiper is ON, the wiper will stop until the window is closed.

No LEDs - Wipers are OFF

1 LED - 6 second intermittent delay

2 LEDs - 3 second intermittent delay

3 LEDs - Full ON

Radio Mute Button (6F)



Radio Mute - Press radio mute button (6F) to mute the radio. The indicator lamp will turn ON while the radio is muted.

Universal Serial Bus (USB) Port (7) (If Equipped)



USB - USB port (7) is available to charge compatible electronic devices.

Note: the port is for charging purposes only.

Engine Start Switch (8)

Notice

The engine start switch must be in the ON position and the engine must be running in order to maintain electrical functions and hydraulic functions. This procedure must be followed in order to prevent serious machine damage.

Note: Always place the hydraulic lockout lever in the RAISED position while starting the engine. Engine start switch (8) will not function if the left hydraulic control is in the LOWERED position.

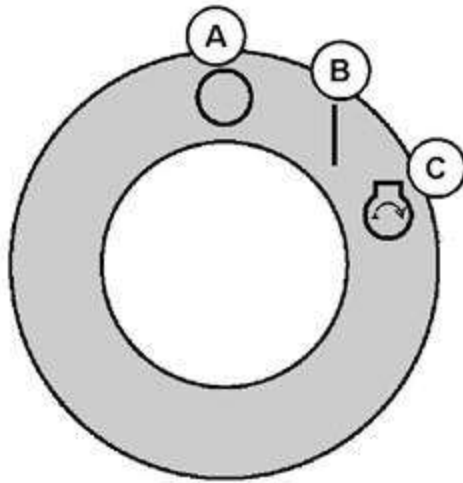


Illustration 325

g06657692

- (A) OFF position
- (B) ON position
- (C) Start position



OFF - Insert the engine start switch key only while engine start switch (8) is in the OFF position (A) . Remove the engine start switch key only while engine start switch (8) is in the OFF position (A) . Turn engine start switch (8) to the OFF position (A) before the operator attempts to restart the engine. Turn engine start switch (8) to the OFF position to stop the engine (A) . Refer to for more information.



ON - To activate the electrical circuits in the cab, turn the engine start switch key clockwise to the ON position (B) . Refer to for more information.



START - To start the engine, turn the engine start switch key clockwise to the **START** position (C) . After the engine starts, release the engine start switch key. The engine start switch key will return to the **ON** position (B) .

Note: If the engine fails to start, return engine start switch key to the **OFF** position (A) . Return the engine start key to the start position before the operator attempts to start the engine again.

Refer to for more information.

Operator Seat (9)

Operator Seat - Operator seat (9) has various adjustments to meet a wide range of operators. For more information, refer to .

Hydraulic Lockout Control (10)

Warning

Deactivation of the hydraulic controls does not prevent the blade, boom swing, or auxiliary circuit functions from moving under gravity or other external forces. Gravity or other external forces can move the blade, boom swing, or auxiliary circuit functions suddenly if a hydraulic control lever is moved.

Personal injury or death may occur from sudden machine movement.

The lever for hydraulic lockout control (10) is at the left side of the machine.



Locked - Move the travel levers/pedals and move the joysticks to the **HOLD** (center) position. Move the lever for the hydraulic lockout control (10) backward to the **LOCKED** position. All the factory installed hydraulic controls will become inoperable.

Note: Make sure that the lever for the hydraulic lockout control (10) is in the **LOCKED** position before attempting to start the engine. If the lever is in the **UNLOCKED** position, the engine start switch will not function.



Unlocked - Move the lever for the hydraulic lockout control (10) forward to the **UNLOCKED** position. All the factory installed hydraulic controls will become operable.



Tilt - For machines equipped with the tilt-up console, pull the lever to the rear most position to release the console lock. Tilt the console upward for easier exit and entry.

Left Side Joystick Controls (11)

Left side joystick - Left side joystick controls (11) are used to control the functions of the machine implements. For more information on the individual functions of the joysticks, refer to for more information.

Travel Control Lever (12)

Right Travel Lever/Pedal

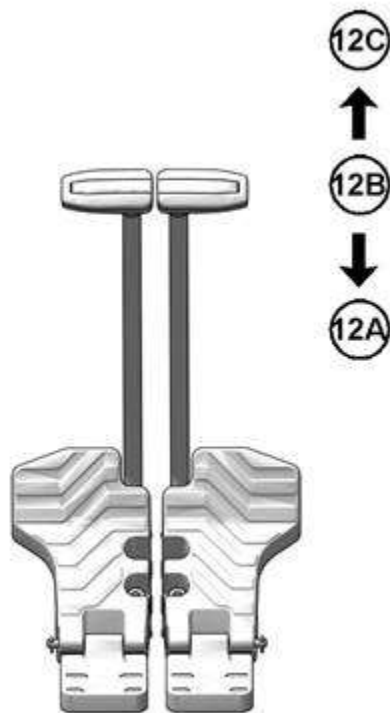


Illustration 326

g06790021

REVERSE(12A) - Move the right travel lever backward to operate the right track in a reverse direction.

STOP(12B) - Release the right travel lever to stop the right track.

FORWARD(12C) - Move the right travel lever forward to operate the right track in a forward direction.

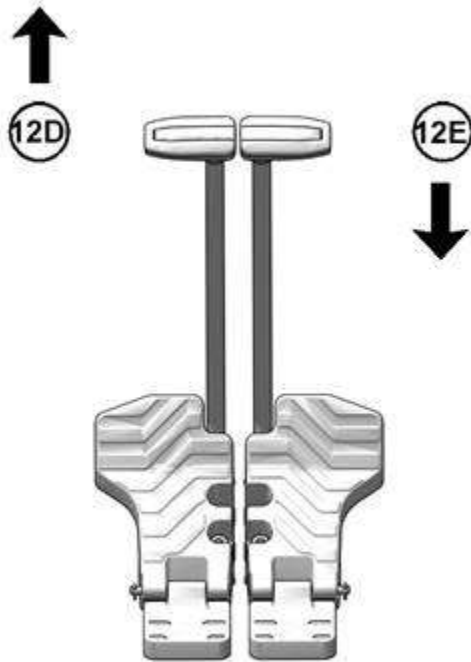


Illustration 327

g06790022

Spot Right Turn - Move the right travel lever (12E) backward. Move the left travel lever (12D) forward at the same time. This method will turn the machine quickly to the right.

Pivot Right Turn - Move the left travel lever (12E) forward. This method will turn the machine to the right.

Left Travel Lever

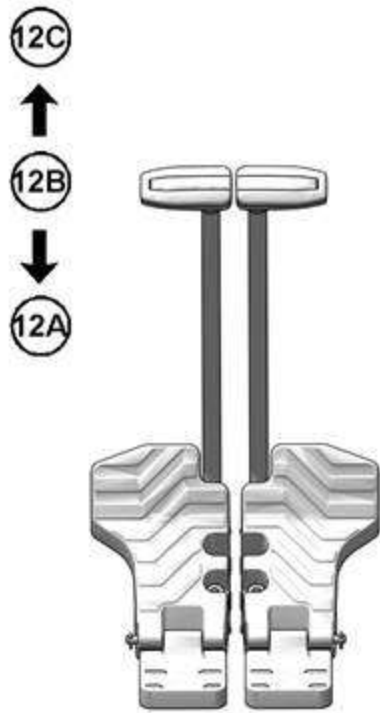


Illustration 328

g06790024

REVERSE(12A) - Move the left travel lever backward to operate the left track in a reverse direction.

STOP(12B) - Release the left travel lever to stop the left track.

FORWARD(12C) - Move the left travel lever forward to operate the left track in a forward direction.

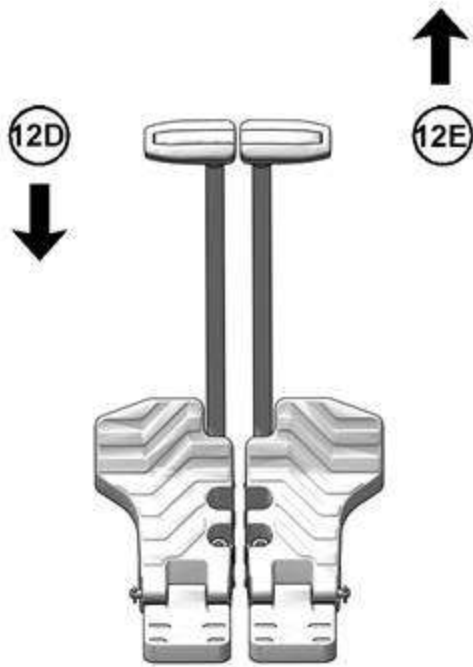


Illustration 329

g06790025

Spot Left Turn - Move the left travel lever (12D) backward. Move the right travel lever (12E) forward at the same time. This method will turn the machine quickly to the left.

Pivot Left Turn - Move the right travel lever (12E) forward. This method will turn the machine to the left.

Machine Equipped with Cab

Note: Your machine may not be equipped with all the controls that are described in this topic.

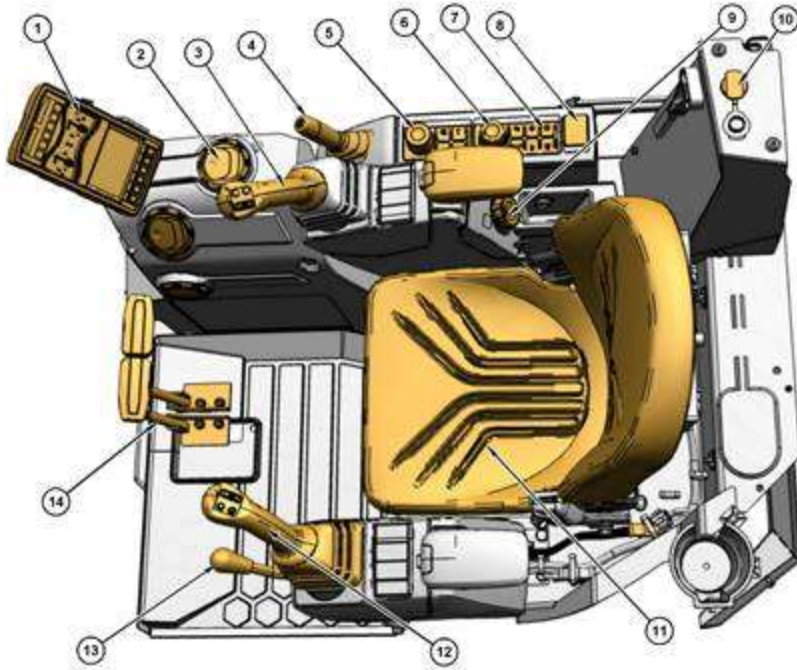


Illustration 330

g06789685

- (1) Monitor
- (2) Air outlet
- (3) Right side joystick controls
- (4) Dozer blade lever
- (5) Jog dial
- (6) Engine speed dial
- (7) Right side switch panel
- (8) Universal Serial Bus (USB) port
- (9) Engine start switch
- (10) Power outlet (12V)
- (11) Operator seat
- (12) Left side joystick controls
- (13) Hydraulic lockout control
- (14) Travel control lever

Monitor (1)

Monitor - Monitor (1) is used to display various operating information of the machine. For more information on the operation of monitor (1) , refer to .

Air Outlet (2)

Air Outlet - Adjust the air outlet direction, if equipped, with air conditioning system.

Right Side Joystick Controls (3)

Right Side Joystick - Right side joystick controls (3) are used to control the functions of the machine implements. For more information on the individual functions of the joysticks, refer to .

Dozer Blade Lever (4)



Float - Push dozer blade lever (4) fully forward. Dozer blade lever (4) will lower to the ground. Dozer blade lever (4) will float with the contour of the ground. Dozer blade lever (4) will return to the HOLD position.



Lower - Push dozer blade lever (4) forward to lower dozer blade lever (4) . Dozer blade lever (4) will return to the HOLD position when the operator release dozer blade lever (4) . Dozer blade lever (4) will remain in the selected position.

Hold - Dozer blade lever (4) will return to the HOLD position when dozer blade lever (4) is released from the RAISED position or LOWERED position.



Raise - Pull dozer blade lever (4) backward to raise dozer blade lever (4) . Dozer blade lever (4) will return to the HOLD position when the operator releases dozer blade lever (4) . Dozer blade lever (4) will remain in the selected position.

Jog Dial (5)

Turn jog dial (5) to choose the desired item in the monitor and depress the dial to activate.

Refer to for more information.

Engine Speed Dial (6)

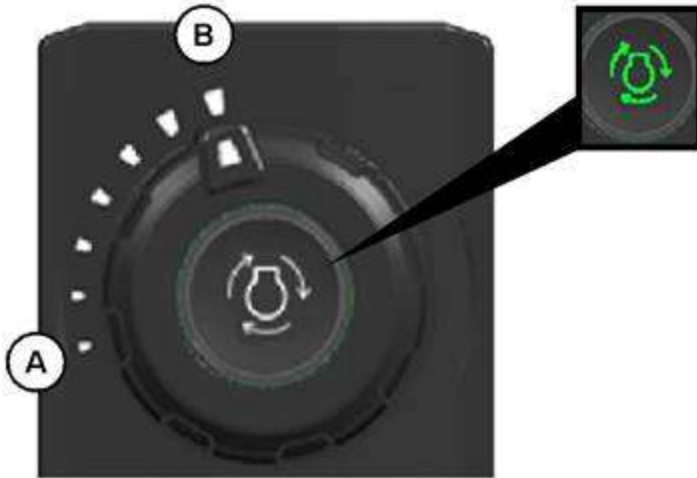


Illustration 331

g06345901

- (A) Low engine idle
- (B) High engine idle

Turn engine speed dial (6) to control the engine speed (engine rpm). Select desired position from the seven positions that are available. Turn engine speed dial (6) counterclockwise to decrease the engine speed (engine rpm). Turn engine speed dial (6) clockwise to increase the engine speed (engine rpm).

Low Engine Idle (A) - The engine operates in the low rpm range.

High Engine Idle (B) - The engine operates in the high rpm range.

Pressing the center of engine speed dial (6) can change the engine operation mode from power-on-demand mode to standard mode (if equipped). A green illuminator on the center of the throttle dial indicates if the power-on-demand mode is active.

In addition to the green illuminator on the dial, a smart mode indicator, which is the indicator for power-on-demand, will illuminate on the monitor. Refer to for more information. When the machine is in standard mode, the power-on-demand mode indicator will not be illuminated on the monitor.

Right Side Switch Panel (7)

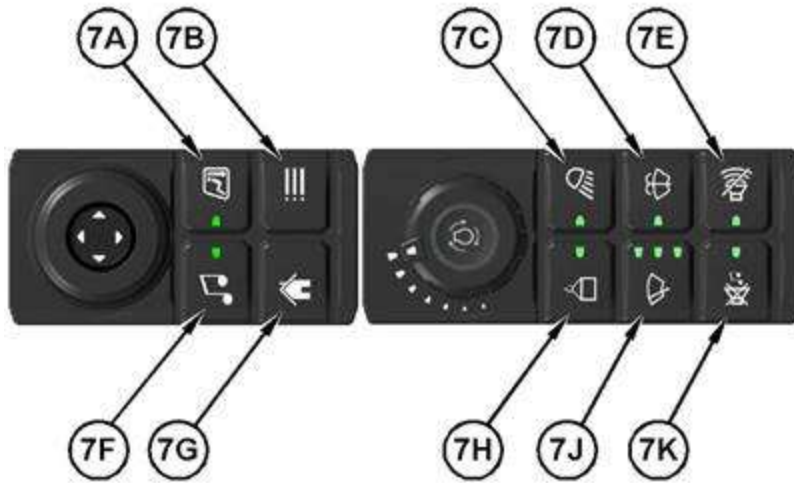


Illustration 332

g06790092

- (7A) Heating ventilation air conditioning (HVAC) control button
- (7B) Display menu shortcut button
- (7C) Work light control button
- (7D) Window washer control button
- (7E) Travel alarm cancel control button
- (7F) Radio control button
- (7G) Home screen control button
- (7H) Overload warning or shovel crane ON and OFF control button
- (7J) Window wiper control button
- (7K) Radio mute button

Heating Ventilation Air Conditioning (HVAC) Control Button (7A)



HVAC - Press this button to bring up the air conditioning and heating menu. The indicator light will illuminate when the heating and cooling system is active. The jog dial (5) can be used to make selections. If equipped with a touch screen, the selections can be made by touching the monitor. Refer to for more information.

Display Menu Shortcut Button (7B)



Display Menu - Pressing display menu shortcut button (7B) navigates to the display menu in the monitor. Refer to for more information.

Work Light Control Button (7C)



Lights - Pressing work lights control button (7C) once turns on all work lights. Pressing the work light button again turns off all work lights.

Window Washer Control Button (7D)

Notice

If the wiper does not operate with the switch in the ON position, turn the switch off immediately. Check the cause. If the switch remains on, motor failure can result.

Notice

If the washer is used continuously for more than 20 seconds or used when no washer solution comes out, motor failure can result.



Window Washer - Push window washer control button (7D) to activate the window washer. The LED will illuminate while window washer control button (7D) is pressed. Two wiper cycles will be completed after releasing window washer control button (7D) .

Travel Alarm Cancel Control Button (7E)



Travel Alarm Cancel - LED will illuminate while travel alarm is canceled. Travel alarm cancel control button (7E) must be pressed every time travel command is initiated to mute the travel alarm.

Note: The travel alarm will sound when the travel levers or the travel pedals are activated.

Radio Control Button (7F)



Radio Control - Pressing radio control button (7F) will navigate the monitor to display the relevant screen for radio controls. Refer to for more information.

Home Screen Control Button (7G)



Home Screen - Press home screen control button (7G) to return back to the home menu on the monitor. Refer to for more information.

Overload Warning or Shovel Crane ON and OFF Control Button (7H)



Overload Warning or Shovel Crane ON and OFF - If equipped with Overload Warning control button (7H) , this feature functions as the ON / OFF button for that feature. When ON, the overload warning system activates if the boom pressure exceeds a threshold. If equipped with Shovel Crane, this feature functions as the ON / OFF button for that feature. When ON, the machine will display the actual load and load limit. If the actual load approaches or exceeds the limit, a warning is activated.

ON - When the LED is lit, the overload warning or shovel crane feature is ON.

OFF - When the LED is not lit, the overload warning or shovel crane feature is OFF.

Refer to for more information.

Window Wiper Control Button (7J)



Window Wiper - Pressing window wiper control button (7J) once turns the wiper ON with a 6 second delay. Pressing window wiper control button (7J) again changes the delay to 3 seconds. Pressing window wiper control button (7J) turns on the wiper continuously. Pressing window wiper control button (7J) again turns OFF the wiper. If the front window is open, the wipers will not turn ON. If the window is opened while the wiper is ON, the wiper will stop until the window is closed.

No LEDs - Wipers are OFF

1 LED - 6 second intermittent delay

2 LEDs - 3 second intermittent delay

3 LEDs - Full ON

Radio Mute Button (7K)



Radio Mute - Press radio mute button (7K) to mute the radio. The indicator lamp will turn ON while the radio is muted.

USB Port (8) (If Equipped)

The USB port allows the operator to have extra media equipment connected to the machine.

Note: For charging purpose only.

Engine Start Switch (9)

Notice

The engine start switch must be in the ON position and the engine must be running in order to maintain electrical functions and hydraulic functions. This procedure must be followed in order to prevent serious machine damage.

Note: Always place the hydraulic lockout lever in the RAISED position while starting the engine. Engine start switch (9) will not function if the left hydraulic control is in the LOWERED position.

Key Switch (If Equipped)

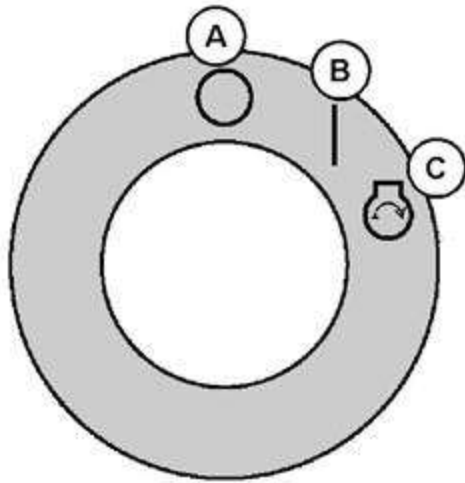


Illustration 333

g06657692

- (A) OFF position
- (B) ON position
- (C) Start position



OFF - Insert the engine start switch key only while engine start switch (9) is in the OFF position (A) . Remove the engine start switch key only while engine start switch (9) is in the OFF position (A) . Turn engine start switch (9) to the OFF position (A) before the operator attempts to restart the engine. Turn engine start switch (9) to the OFF position to stop the engine (A) . Refer to for more information.



ON - To activate the electrical circuits in the cab, turn the key clockwise to the ON position (B) . Refer to for more information.



START - To start the tractor engine, turn the key clockwise to the **START** position (C) . After the engine starts, release the key. The key will return to the **ON** position (B) .

Note: If the engine fails to start, return engine start switch key to the **OFF** position (A) . Return the engine start key to the start position before the operator attempts to start the engine again.

Refer to for more information.

Push to Start (If Equipped)

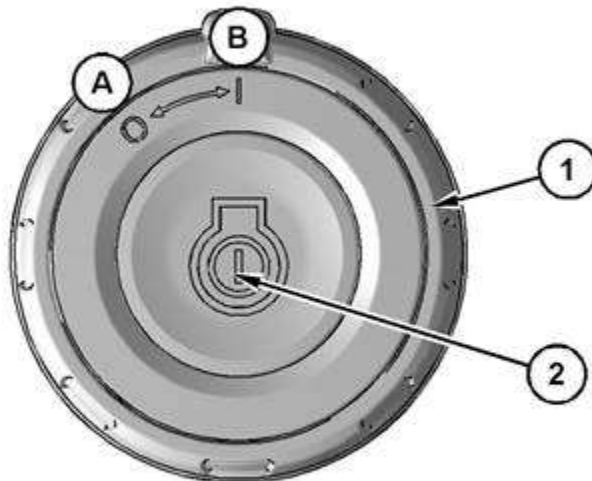


Illustration 334

g06790094

- (A) Off
- (B) On
- (1) Engine start ring
- (2) Start button

Note: The **Bluetooth** key must be inside the cab to activate the electrical circuits.



OFF - Turn engine start ring (1) to the OFF position (A) to stop the engine. Refer to for more information.



ON - To activate the electrical circuits in the cab and enable engine starting, turn the engine start ring (1) clockwise to the ON position (B) . Refer to for more information.



START - To start the engine, enter pass code in the monitor (only required if machine security is enabled). Press start button (2) . After the engine starts, release the button. Refer to for more information.

Power Outlet (12V) (10)



12V Power Outlet - Power outlet (10) can be used to power automotive electrical equipment or accessories. Power outlet (10) only operates when engine start switch (9) is in the ON position.

Operator Seat (11)

Operator Seat - Operator seat (11) has various adjustments to meet a wide range of operators. For more information, refer to .

Left Side Joystick Controls (12)

Left side joystick - Left side joystick controls (12) are used to control the functions of the machine implements. For more information on the individual functions of the joysticks, refer to for more information.

Hydraulic Lockout Control (13)

Warning

Deactivation of the hydraulic controls does not prevent the blade, boom swing, or auxiliary circuit functions from moving under gravity or other external forces. Gravity or other external forces can move the blade, boom swing, or auxiliary circuit functions suddenly if a hydraulic control lever is moved.

Personal injury or death may occur from sudden machine movement.

The lever for hydraulic lockout control (13) is at the left side of the machine.



Locked - Move the travel levers/pedals and move the joysticks to the HOLD (center) position. Move the lever for the hydraulic lockout control (13) backward to the LOCKED position. All the factory installed hydraulic controls will become inoperable.

Note: Make sure that the lever for the hydraulic lockout control (13) is in the LOCKED position before attempting to start the engine. If the lever is in the UNLOCKED position, the engine start switch will not function.



Unlocked - Move the lever for the hydraulic lockout control (13) forward to the UNLOCKED position. All the factory installed hydraulic controls will become operable.



Tilt - For machines equipped with the tilt-up console, pull the lever to the rear most position to release the console lock. Tilt the console upward for easier exit and entry.

Travel Control Lever (14)

Right Travel Lever/Pedal

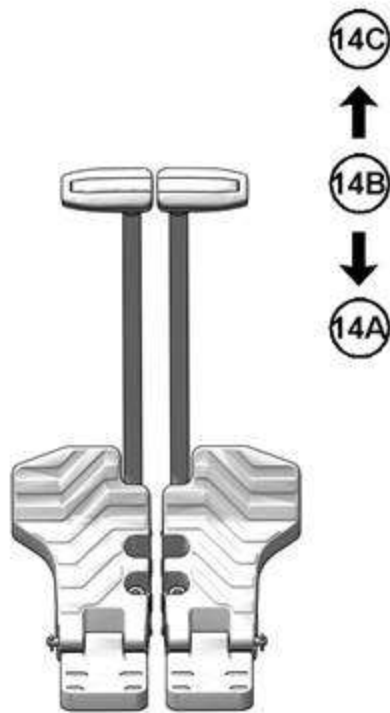


Illustration 335

g06790095

REVERSE(14A) - Move the right travel lever backward to operate the right track in a reverse direction.

STOP(14B) - Release the right travel lever to stop the right track.

FORWARD(14C) - Move the right travel lever forward to operate the right track in a forward direction.

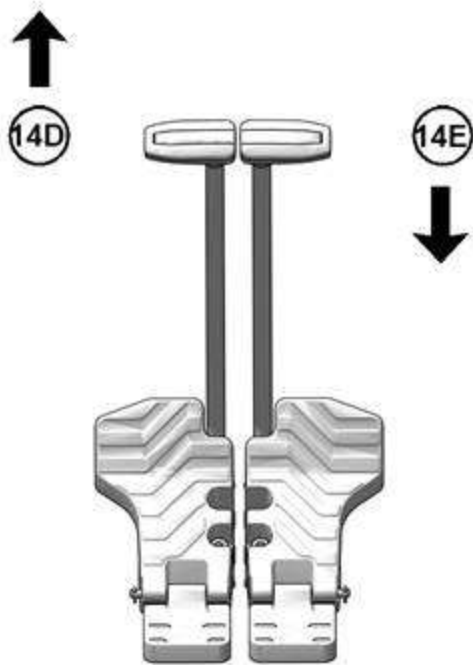


Illustration 336

g06790096

Spot Right Turn - Move the right travel lever (14E) backward. Move the left travel lever (14D) forward at the same time. This method will turn the machine quickly to the right.

Pivot Right Turn - Move the left travel lever (14E) forward. This method will turn the machine to the right.

Left Travel Lever

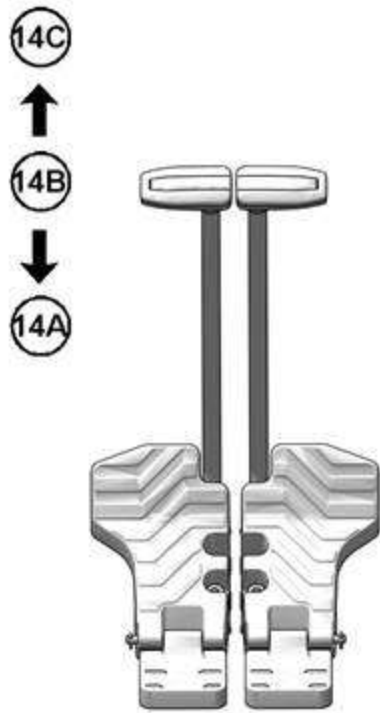


Illustration 337

g06790097

REVERSE(14A) - Move the left travel lever backward to operate the left track in a reverse direction.

STOP(14B) - Release the left travel lever to stop the left track.

FORWARD(14C) - Move the left travel lever forward to operate the left track in a forward direction.

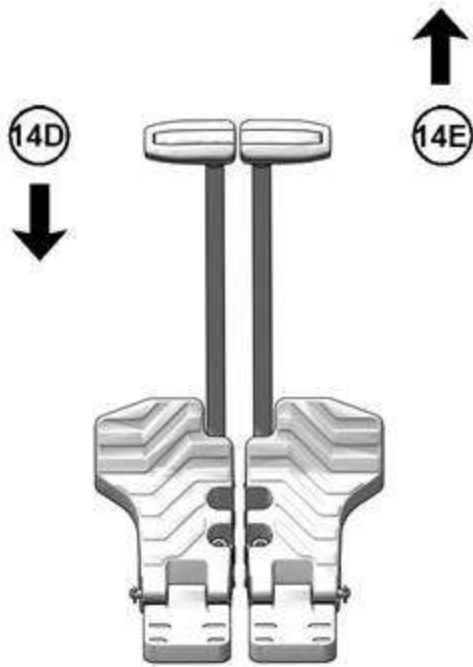


Illustration 338

g06790098

Spot Left Turn - Move the left travel lever (14D) backward. Move the right travel lever (14E) forward at the same time. This method will turn the machine quickly to the left.

Pivot Left Turn - Move the right travel lever (14E) forward. This method will turn the machine to the left.