



OWNER'S MANUAL

JTJ-2SV/5SV/10SV Toe Jack



JET EQUIPMENT & TOOLS, INC.
A WMH Company
www.jettools.com

P.O. BOX 1349
Auburn, WA 98071-1349
e-mail jet@jettools.com

Phone: 253-351-6000
Fax: 1-800-274-6840
M-453505 04/01

Important Information

**1-YEAR
LIMITED WARRANTY**

**JET offers a one-year limited
warranty on this product**

REPLACEMENT PARTS

Replacement parts for this tool are available directly from JET Equipment & Tools. To place an order, call 1-800-274-6848. Please have the following information ready:

1. Visa, MasterCard, or Discover Card number
2. Expiration date
3. Part number listed within this manual
4. Shipping address other than a Post Office box.

REPLACEMENT PART WARRANTY

JET Equipment & Tools makes every effort to assure that parts meet high quality and durability standards and warrants to the original retail consumer/purchaser of our parts that each such part(s) to be free from defects in materials and workmanship for a period of thirty (30) days from the date of purchase.

PROOF OF PURCHASE

Please retain your dated sales receipt as proof of purchase to validate the warranty period.

LIMITED TOOL AND EQUIPMENT WARRANTY

JET makes every effort to assure that its products meet high quality and durability standards and warrants to the original retail consumer/purchaser of our products that each product be free from defects in materials and workmanship as follows: 1 YEAR LIMITED WARRANTY ON THIS JET PRODUCT. Warranty does not apply to defects due directly or indirectly to misuse, abuse, negligence or accidents, repairs or alterations outside our facilities or to a lack of maintenance. JET LIMITS ALL IMPLIED WARRANTIES TO THE PERIOD SPECIFIED ABOVE FROM THE DATE THE PRODUCT WAS PURCHASED AT RETAIL. EXCEPT AS STATED HEREIN, ANY IMPLIED WARRANTIES OR MERCHANTABILITY AND FITNESS ARE EXCLUDED. SOME STATES DO NOT ALLOW LIMITATIONS ON HOW LONG THE IMPLIED WARRANTY LASTS, SO THE ABOVE LIMITATION MAY NOT APPLY TO YOU. JET SHALL IN NO EVENT BE LIABLE FOR DEATH, INJURIES TO PERSONS OR PROPERTY OR FOR INCIDENTAL, CONTINGENT, SPECIAL OR CONSEQUENTIAL DAMAGES ARISING FROM THE USE OF OUR PRODUCTS. SOME STATES DO NOT ALLOW THE EXCLUSION OR LIMITATION OF INCIDENTAL OR CONSEQUENTIAL DAMAGES, SO THE ABOVE LIMITATION OR EXCLUSION MAY NOT APPLY TO YOU. To take advantage of this warranty, the product or part must be returned for examination, postage prepaid, to an authorized service station designated by our Auburn office. Proof of purchase date and an explanation of the complaint must accompany the merchandise. If our inspection discloses a defect, JET will either repair or replace the product or refund the purchase price, if we cannot readily and quickly provide a repair or replacement, if you are willing to accept such refund. JET will return repaired product or replacement at JET's expense, but if it is determined there is no defect, or that the defect resulted from causes not within the scope of JET's warranty, then the user must bear the cost of storing and returning the product. This warranty gives you specific legal rights, and you have other rights, which vary, from state to state.

JET Equipment & Tools • P.O. Box 1349, Auburn, WA 98071-1349 • (253) 351-6000

⚠ **WARNING**

- Read the entire contents of this manual before attempting to operate the toe jack.
- This toe jack was designed and intended for use by properly trained personnel only. If you are not familiar with the proper and safe use of a toe jack, do not use this jack until proper training and knowledge have been obtained.
- Use the jack on hard, level surfaces only. Never use the jack on a slope or soft surfaces.
- Never load the toe jack beyond its rated capacity.
- Support raised loads with appropriate supports. Never use the toe jack as a sole means of support.
- Keep arms, legs, fingers, and toes clear of a lifted load at all times.
- Do not add weight to a supported load.
- Keep lifted loads as low as possible.
- Remove the handle from the toe jack body when not in use. Never use any handle other than the one designed for the toe jack.
- Retract the ram completely when finished using the jack. An extended ram might get damaged.
- Do not lower a load suddenly and stop in the middle of a lift. Damage to the jack may occur.
- Replace the warning label on the jack if it is damaged or unreadable.
- Failure to comply with all these warnings may cause serious injury and/or damage to property.

Specifications

Model	Stock #	Toe Capacity (tons)	Head Capacity (tons)	Toe Height Min. (in.)	Toe Lift (in.)	Toe Height Max. (in.)	Head Height Min. (in.)	Head Height Max. (in.)	Toe Size (LxW/in.)	Base Size (LxW/in.)	Net Weight (lbs.)
JTJ-2SV	453502	2	3	5/8	4-7/16	5-1/16	9-3/8	13-3/4	2 x 2	5 x 7	18
JTJ-5SV	453505	5	6	7/8	4-3/4	5-9/16	11-3/4	16-1/8	2-1/4 x 3	10-5/8 x 7-1/4	53
JTJ-10SV	453510	10	14	1-1/8	5-3/4	6-13/16	13-1/8	18-1/8	2-3/8 x 4	11-1/4 x 9-1/2	84

The specifications in this manual are given as general information and are not binding. JET Equipment and Tools reserves the right to effect, at any time and without prior notice, changes or alterations to parts, fittings, and accessory equipment deemed necessary for any reason whatsoever.

Operation

To raise the jack:

1. Insert the end of the handle into the release stem.
2. Turn the release stem clockwise completely to close the valve. Do not over tighten.
3. Insert the handle into the handle socket.
4. Pump the handle to raise the load.

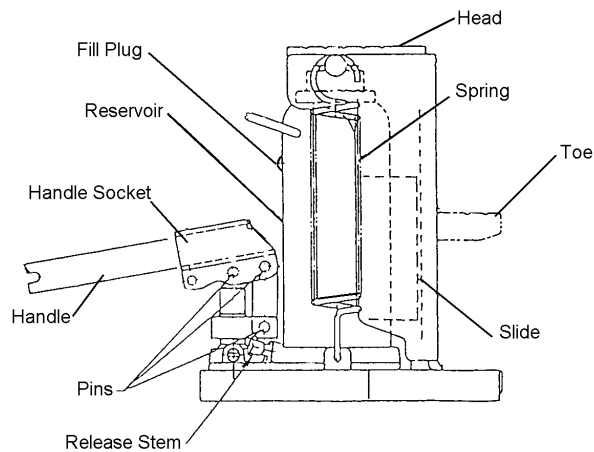
To lower the jack:

1. Insert the end of the handle into the release stem and turn **slowly** counter-clockwise to open the valve.

WARNING

**Slowly turn the release valve! Turning the release valve quickly makes the load fall rapidly and may lead to the loss of the load or damage to the jack!
Failure to comply may cause serious injury and/or property damage!**

2. Do not turn the release valve around more than two complete revolutions.
3. When storing the jack, retract the ram completely and wipe off any dirt, oil, or other contaminants.



Lubrication

- Lubricate the pins with a few drops of machine tool oil monthly.
- Lubricate the slide with #2 lithium based grease monthly.

- **To fill the reservoir with oil:**

1. Retract the ram completely.
2. Remove the filler plug.

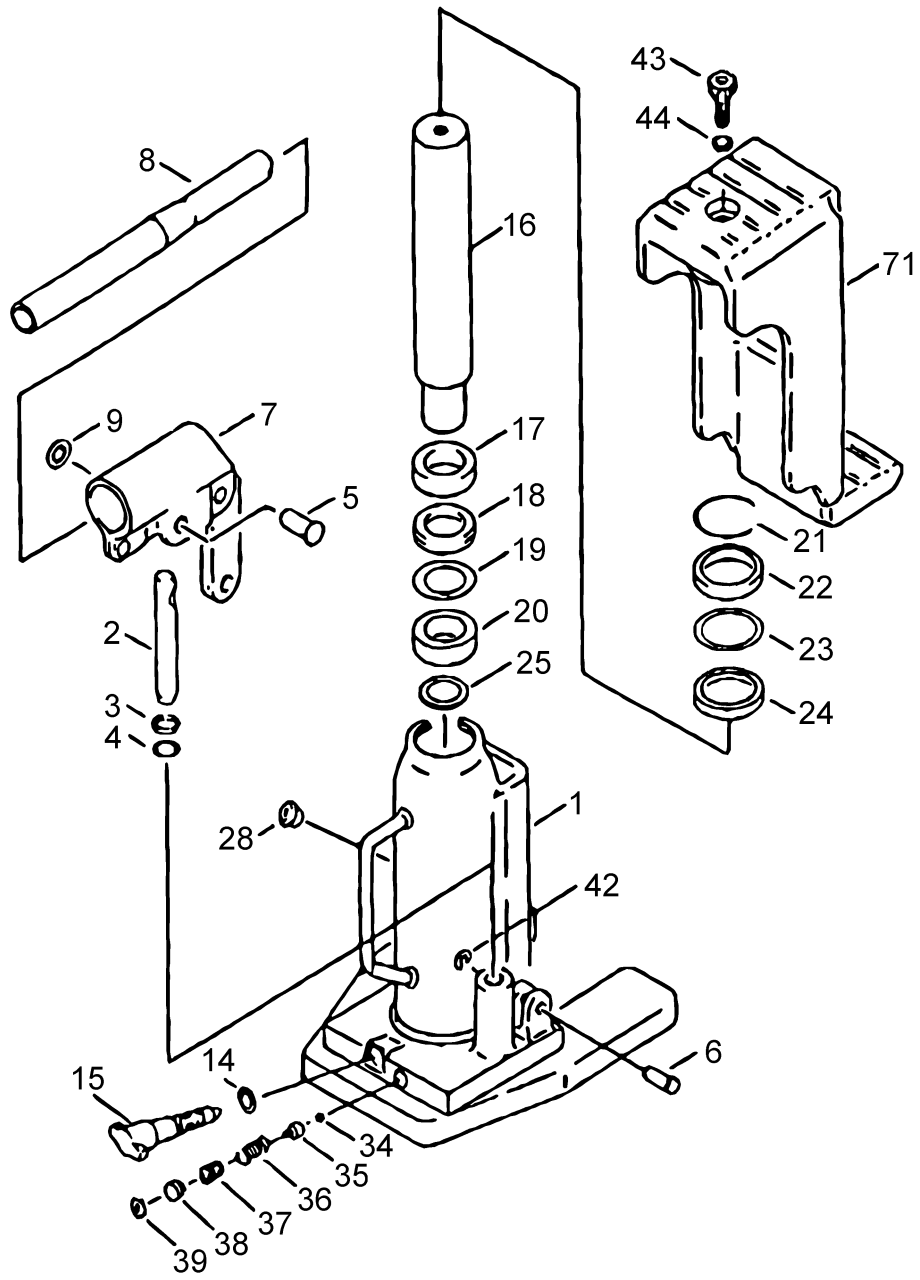
 **WARNING**
Make sure no contaminants enter the cylinder when filling with oil! Never use any oil other than hydraulic jack oil to fill the cylinder!
Failure to comply may cause the jack to fail!

3. Fill the reservoir with hydraulic jack oil to the bottom edge of the fill hole with the jack in the upright position.
4. Replace the filler plug.
5. Raise the ram to its full height and pump five or six times after the ram has reached its full height.
6. Push the ram down completely.
7. Push the filler plug sideways to let the trapped air bleed out.

Troubleshooting

Problem	Cause	Solution
Toe will not extend.	Release stem is open.	Close release stem completely.
	Dirt or crack in valve sealing section.	Clean and repair or replace.
Jack will not lift to full height.	Not enough or too much hydraulic jack oil in reservoir.	Fill reservoir with correct amount of hydraulic jack oil.
Toe extends but falls immediately.	Air in the system.	Press ram down to the lowest position and let air out by pushing filler plug sideways.
Handle pops up.	Delivery valve seal is damaged.	Replace delivery valve seal.
External oil leak.	Damage to top or bottom of reservoir, release stem, or pump.	Repair or replace.

JTJ-2SV 2-Ton Toe Jack

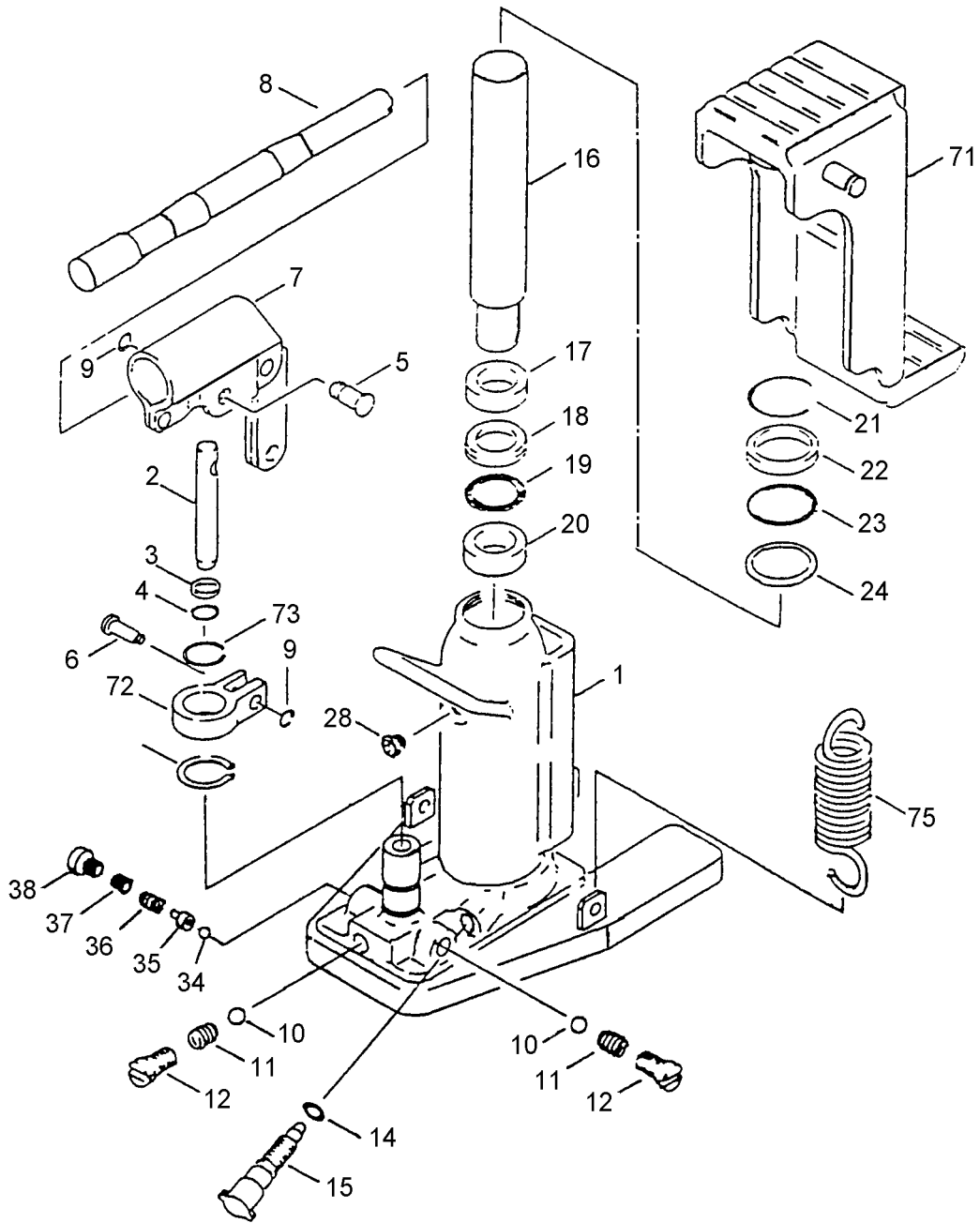


Parts List for the JTJ-2SV 2 Ton Toe Jack

Index No.	Part No.	Description	Size	Qty.
1	N/A	Body		1
2	JTJ2SV-2	Pump Plunger		1
3	JTJ2SV-3	Pump Backup Ring **		1
4	JTJ2SV-4	Pump Packing **		1
5	JTJ2SV-5	Pump Plunger Pin		1
6	JTJ2SV-6	Pump Stay Pin		1
7	JTJ2SV-7	Handle Socket Assembly		1
8	JHJ001-08	Handle (2 pc.)		1
9	JTJ2SV-9	Snap Ring		1
14	JTJ2SV-14	Release Packing **		1
15	JTJ2SV-15	Release Assembly		1
16	JTJ2SV-16	Ram		1
17	JTJ2SV-17	Ram Packing Seat		1
18	JTJ2SV-18	Ram Backup Ring **		1
19	JTJ2SV-19	Ram Packing **		1
20	JTJ2SV-20	Ram Guide Ring		1
21	JTJ2SV-21	Snap Ring		1
22	JTJ2SV-22	Stuffing Ring		1
23	JTJ2SV-23	Cylinder Packing **		1
24	JTJ2SV-24	Stopper Ring		1
25	JTJ2SV-25	Ram Guide Ring Stopper		1
28	H10028	Oil Plug **		1
34	SB-5/32	Steel Ball	5/32	1
35	S-246-0536	Safety Valve Ball Seat		1
36	S-246-0535	Safety Valve Spring		1
37	S-246-0532	Safety Valve Adjusting Screw		1
38	JTJ2SV-71	Safety Valve Plug		1
39	JTJ2SV-39	Safety Valve Push Nut		1
42	JTJ2SV-42	E-ring		1
43	JTJ2SV-43	Bolt		1
44	JTJ2SV-44	Washer		1
71	JTJ2SV-71	Hanger		1
	JTJ2SV-RK	Repair Kit		1
	JTJ2SV-ID	I.D. Label (not shown)		1

Note: items in boldface and marked with ** are included in the repair kit.

JTJ-5SV 5-Ton Toe Jack

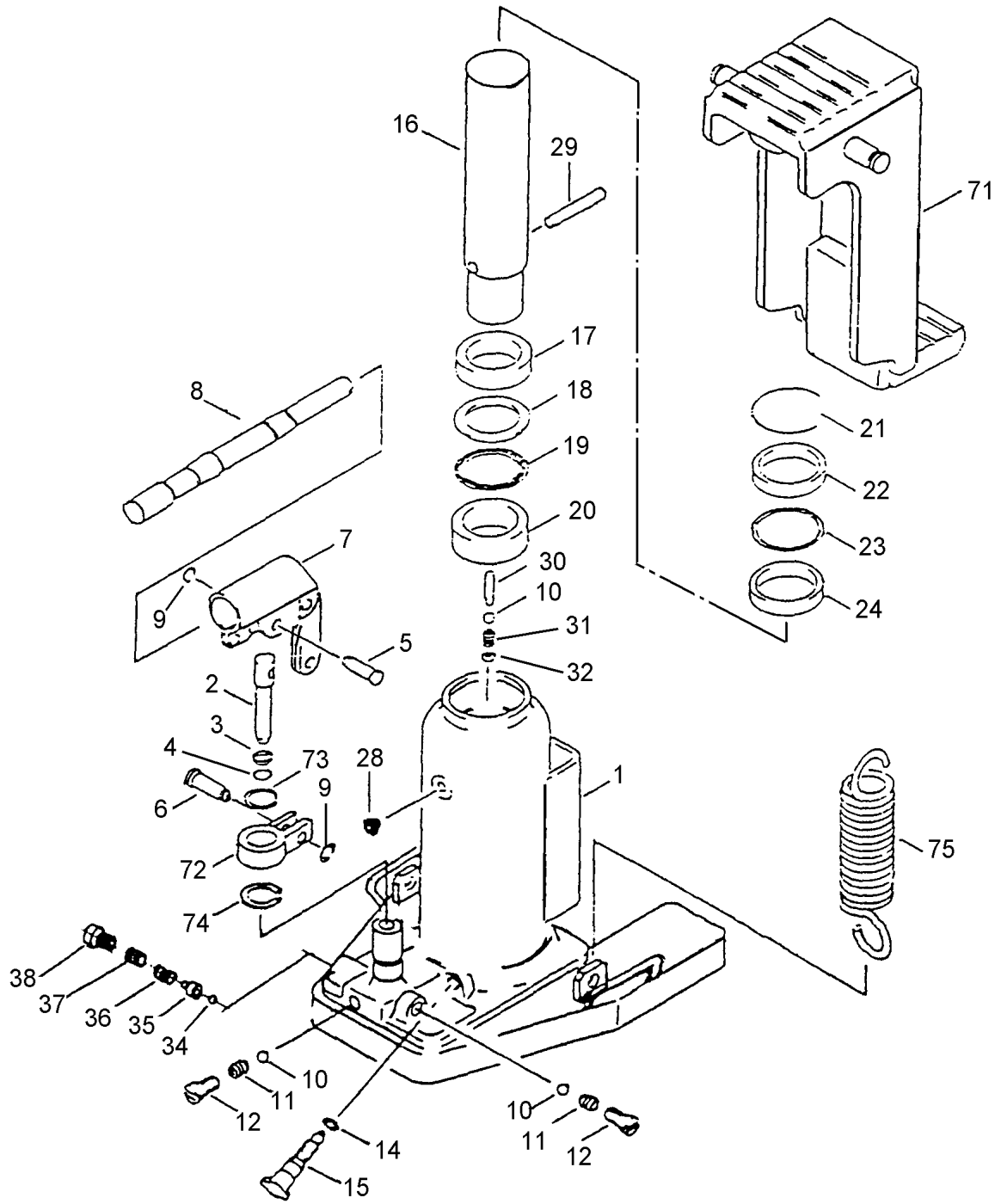


Parts List for the JTJ-5SV 5 Ton Toe Jack

Index No.	Part No.	Description	Size	Qty.
1	N/A	Body		1
2	H10002	Pump Plunger		1
3	H10003	Pump Backup Ring **		1
4	H10004	Pump Packing **		1
5	H10005	Pump Plunger Pin		1
6	H-920-0013	Pump Stay Pin		1
7	H10007	Handle Socket Assembly		1
8	JHJ008-08	Handle (3 pc.)		1
9	H10009	Snap Ring		1
10	H10010	Valve Ball		2
11	H10011	Valve Spring		2
12	H10012	Valve Plug		2
14	H10014	Release Packing **		1
15	H10015	Release Assembly		1
16	H-920-0021	Ram		1
17	H-920-0028	Ram Packing Seat		1
18	H10018	Ram Backup Ring **		1
19	H10019	Ram Packing **		1
20	H-920-0031	Ram Guide Ring		1
21	H10021	Snap Ring		1
22	H-920-0026	Stuffing Ring		1
23	H10023	Cylinder Packing **		1
24	H10024	Stopper Ring		1
28	H10028	Oil Plug **		1
34	SB-5/32	Steel Ball	5/32	1
35	S-246-0536	Safety Valve Ball Seat		1
36	S-246-0535	Safety Valve Spring		1
37	S-246-0532	Safety Valve Adjusting Screw		1
38	S-258-0054	Safety Valve Plug		1
71	S-364-0051	Hanger		1
72	H-920-0010	Pump Base		1
73	H-920-0054	Pump Stop A		1
74	JTJ5SV-74	Pump Stop B		1
75	S-393-0142	Return Spring		1
	JTJ5SV-RK	Repair Kit		1
	JTJ5SV-ID	I.D. Label (not shown)		1

Note: items in boldface and marked with ** are included in the repair kit.

JTJ-10SV 10-Ton Toe Jack



Parts List for the JTJ-10SV 10 Ton Toe Jack

Index No.	Part No.	Description	Size	Qty.
1	N/A	Body		1
2	H20002	Pump Plunger		1
3	H10003	Pump Backup Ring **		1
4	H10004	Pump Packing **		1
5	H20005	Pump Plunger Pin		1
6	H-935-0013	Pump Stay Pin		1
7	J-421-0007	Handle Socket Assembly		1
8	JHJ022-08	Handle (3 pc.)		1
9	H20009	Snap Ring		1
10	H10010	Valve Ball		2
11	H10011	Valve Spring		2
12	H10012	Valve Plug		2
14	H10014	Release Packing **		1
15	H10015	Release Assembly		1
16	H-935-0021	Ram		1
17	H-935-0031	Ram Packing Seat		1
18	H20018	Ram Backup Ring **		1
19	H20019	Ram Packing **		1
20	H-920-0034	Ram Guide Ring		1
21	H20021	Snap Ring		1
22	H-280-0525	Stuffing Ring		1
23	H20023	Cylinder Packing **		1
24	H-280-525	Stopper Ring		1
28	H10028	Oil Plug **		1
29	H20029	Horizontal Pin		1
30	H-935-0029	Vertical Pin		1
31	H15031	Ram Spring		1
32	H15032	Ram Spring Stopper Ring		1
34	SB-5/32	Steel Ball	5/32	1
35	S-246-0536	Safety Valve Ball Seat		1
36	S-246-0535	Safety Valve Spring		1
37	S-246-0532	Safety Valve Adjusting Screw		1
38	S-258-0054	Safety Valve Plug		1
71	S-421-0051	Hanger		1
72	H-935-0010	Pump Base		1
73	H-920-0054	Pump Stop A		1
74	JTJ5SV-74	Pump Stop B		1
75	S-393-0142	Return Spring		1
	JTJ10SV-RK	Repair Kit		1
	JTJ10SV-ID	I.D. Label (not shown)		1

Note: Items in boldface and marked ** are included in the repair kit.